

MICRO SWITCH

FREEPORT ILLINOIS, U.S.A
A DIVISION OF HONEYWELL
FED. MFG. CODE 91929

SWITCH - BASIC

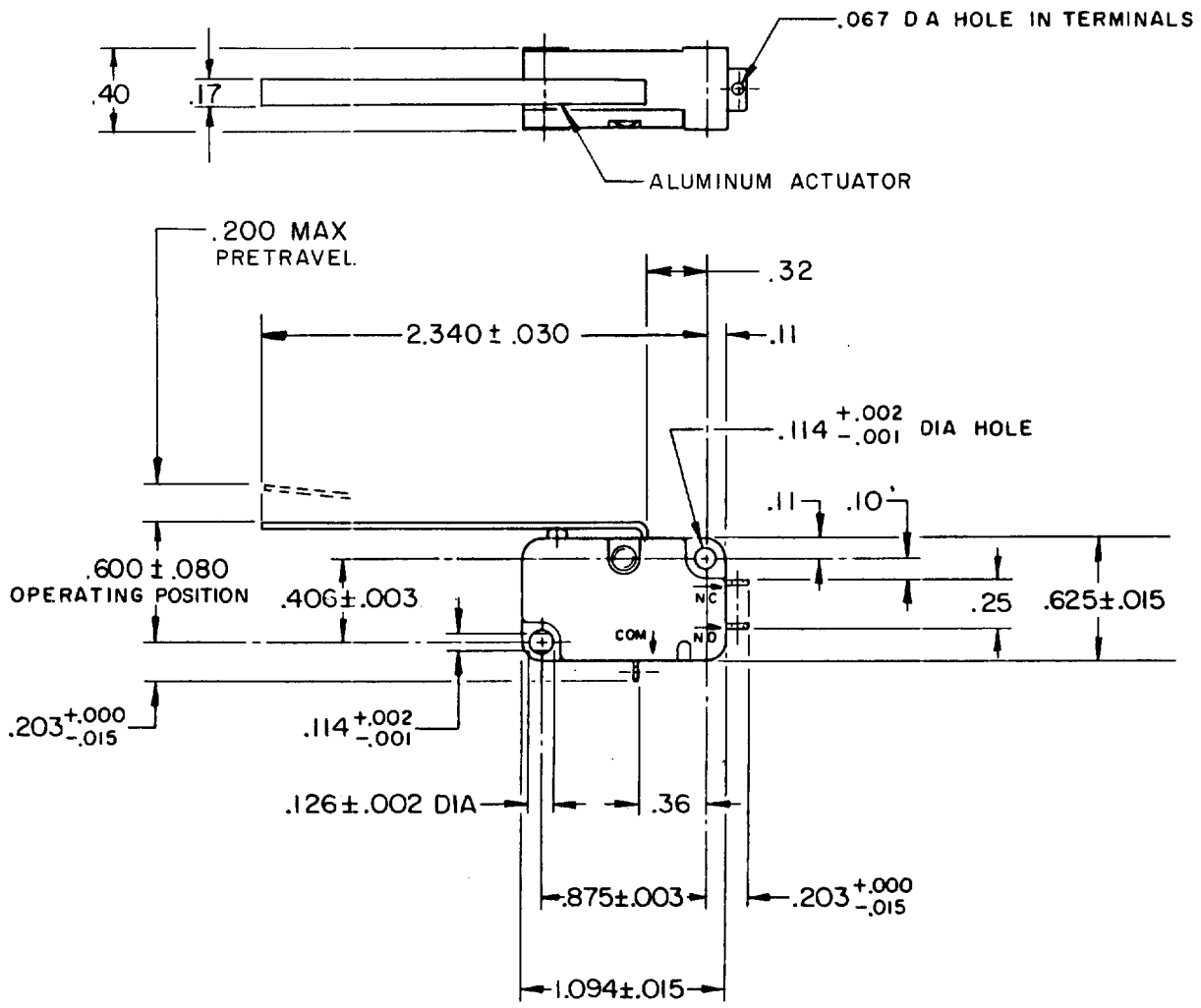
CATALOG LISTING

V3L-2436

CQ-XI552

5

M V3L-2436
 DRAWING NUMBER
 28
 ISSUE
 4
 REVISIONS
 A PR-7605
 C E B
 20 JAN 79
 CO
 5992
 BMA
 29 SEPT 89
 C CO
 76448
 DCS
 28 JAN 94
 FO-52848-A
 DRAWN
 C J H 17 JAN 79
 CHECK
 C E B 20 JAN 79
 CHECK
 C E B 20 JAN 79
 CHECK
 RELEASE NO. PR-7605
 REPLACES



NOTE-
 - FORCE CHARACTERISTICS CHECKED WITH SWITCH LYING ON SIDE

THIS DRAWING COVERS A PROPRIETARY ITEM AND IS THE PROPERTY OF MICRO SWITCH, A DIVISION OF HONEYWELL. THIS DRAWING IS NOT TO BE COPIED OR USED WITHOUT THE APPROVAL OF MICRO SWITCH.

THIRD ANGLE PROJECTION

CHARACTERISTICS	
OPERATING FORCE	---7 GRAMS MAX
RELEASE TRAVEL	----- .030 MIN
DIFFERENTIAL TRAVEL	--- .055 MAX
OVERTRAVEL	----- .160 MIN

ELECTRICAL DATA	
CONTACT ARRANGEMENT S P D T	
L162 5A-125, 250, 277VAC 1/10HP-250VAC 	

SCALE FULL			
DO NOT SCALE PRINT			
APPLY TO DESIGN UNITS. CONVERSIONS ARE ONLY FOR REFERENCE. UNLESS NOTED, TOLERANCES ARE ±			
DIM. mm	TOL. mm/in	DIM. in	TOL. mm/in
NO PLACES X	1/.04		
ONE PLACE X,X	0.4/.016	X X	0.8/.03
TWO PLACES X,XX	0.15/.006	X XX	0.38/.015
THREE PLACES X,XXX		X XXX	0.13/.005
SI METRIC <input type="checkbox"/>		US CUSTOMARY <input checked="" type="checkbox"/>	
DESIGN UNITS			
WEIGHT			