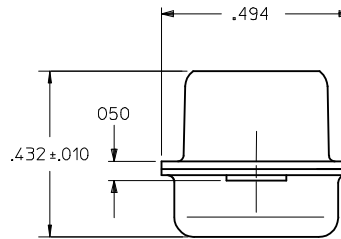
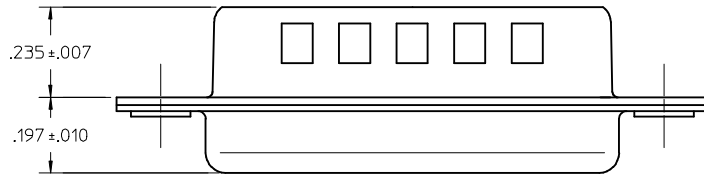
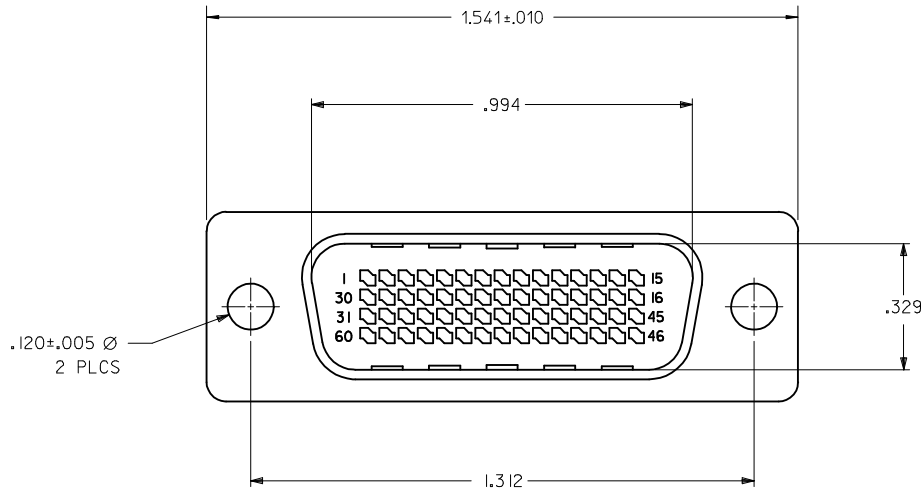


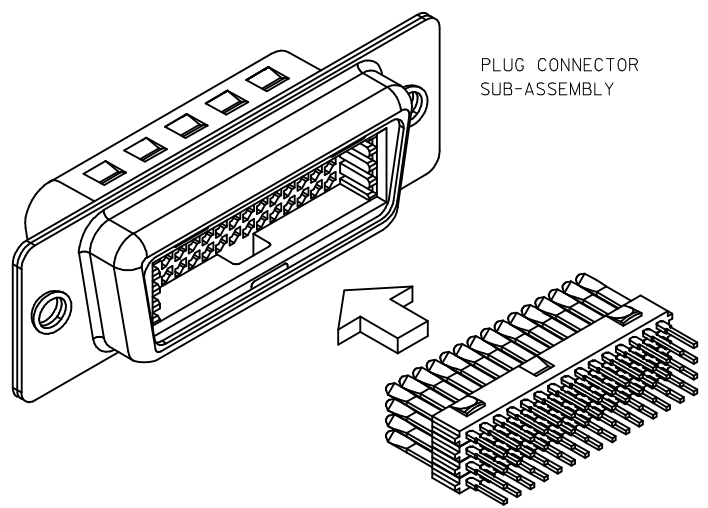
NOTES:

- 1) PLASTIC HOUSING:
GLASS FILLED LCP (LIQUID CRYSTAL POLYMER), UL 94 V-0, COLOR: BLACK.
- 2) FRONT SHELL:
DEEP DRAWN STEEL, .020" THICK;
PLATING: SEE TABLE
BRIGHT TIN: 150-250 MICROINCHES BRIGHT TIN OVER
50-150 MICROINCHES NICKEL OVER COPPER FLASH
OVERALL (OPTIONAL).
BRIGHT NICKEL: 100-175 MICROINCHES BRIGHT NICKEL OVER
50 MICROINCHES MAXIMUM COPPER OVERALL.
- 3) BACK SHELL:
DEEP DRAWN STEEL, .016" THICK;
PLATING: 150-250 MICROINCHES BRIGHT TIN OVER 50-150 MICROINCHES NICKEL
OVER COPPER FLASH OVERALL (OPTIONAL).
- 4) THIS CONNECTOR CONFORMS TO PRODUCT SPECIFICATION PS-70928.
- 5) PACKAGING SPECIFICATION PK-70873-0236 APPLIES.
- 6) SEE APPLICATION SPECIFICATION PS-70929 FOR ASSEMBLY AND TERMINATION DETAILS.
- 7) INSERT-MOLDED TERMINAL STRIP ASSEMBLIES ARE SUPPLIED SEPARATELY (SEE SHEET 2 FOR ORDERING INFORMATION).



PART NO.	PRODUCT DESCRIPTION	FRONT SHELL PLATING
70929-2000	60 CKT. I/O PLUG CONNECTOR SUB-ASSEMBLY	BRIGHT TIN
70929-2009	60 CKT. I/O PLUG CONNECTOR SUB-ASSEMBLY	BRIGHT NICKEL

ADD TOLERANCES EC NO: UCP2014-2167 DRWR:WHIPPLE 2013/11/18 CHKD:DMORGAN 2013/11/18 APPR:SMILLER 2013/12/16	QUALITY SYMBOLS ∇=0 ∇=0 ∇=0	GENERAL TOLERANCES (UNLESS SPECIFIED)		DIMENSION STYLE INCH ONLY		SCALE 4:1	DESIGN UNITS INCH	THIRD ANGLE PROJECTION		
		4 PLACES ± --- ± ---	mm	INCH	DRAWN BY MOS	DATE 1993/05/11	SALES ASSEMBLY LFH 60CKT I/O PLUG FOR CABLE ASSEMBLIES molex DOCUMENT NO. SDA-70929-20** SHEET NO. 1 OF 2			
		3 PLACES ± --- ± .005			CHECKED BY O'SULLIVAN	DATE 1993/05/11				
		2 PLACES ± --- ± .01			APPROVED BY SMILLER	DATE 2011/07/12				
1 PLACE ± --- ± ---										
		0 PLACE ± ±								
		ANGULAR ±1/2°		DRAFT WHERE APPLICABLE MUST REMAIN WITHIN DIMENSIONS		SEE CHART				
				MATERIAL NO.		SIZE				



PLUG CONNECTOR
SUB-ASSEMBLY

INSERT MOLDED TERMINAL STICKS
SUPPLIED SEPARATELY
SEE SALES DRAWING: SDA-70984-100*
NOTE: STICKS SHOWN WITH CARRIER REMOVED

SEE SHEET 1 EC NO: UCP2014-2167 DRWN:RWHIPPLE 2013/11/18 CHKD:DMORGAN 2013/11/18 APPR:SMILLER 2013/12/16	DESCRIPTION QUALITY SYMBOLS ▽=0 ▽=0 ▽=0	GENERAL TOLERANCES (UNLESS SPECIFIED)		DIMENSION STYLE INCH ONLY		SCALE 4:1	DESIGN UNITS INCH	THIRD ANGLE PROJECTION		
				DRAWN BY MOS	DATE 1993/05/11		TITLE SALES ASSEMBLY LFH 60CKT I/O PLUG FOR CABLE ASSEMBLIES molex			
				CHECKED BY O'SULLIVAN	DATE 1993/05/11					
				APPROVED BY SMILLER		DATE 2011/07/12		DOCUMENT NO. SDA-70929-20**		SHEET NO. 2 OF 2

ANGULAR ±1/2°
DRAFT WHERE APPLICABLE
MUST REMAIN
WITHIN DIMENSIONS

SEE SHHET 1
SIZE C

THIS DRAWING CONTAINS INFORMATION THAT IS PROPRIETARY TO MOLEX.
INCORPORATED AND SHOULD NOT BE USED WITHOUT WRITTEN PERMISSION