

CFX SERIES
Load Life : 105°C 5000 hours

*For LED Lighting.

 RoHS
compliance

◆SPECIFICATIONS

| Items | Characteristics | |
|---|---|--|
| Category Temperature Range | -25~+105°C | |
| Rated Voltage Range | 160~450Vdc | |
| Capacitance Tolerance | ±20% (20°C, 120Hz) | |
| Leakage Current(MAX) | CV ≤ 1000 | CV > 1000 |
| | I = 0.1CV + 40µA (1 minute) I = 0.03CV + 15µA (5 minutes) | I = 0.04CV + 100µA (1 minute) I = 0.02CV + 25µA (5 minutes) |
| Dissipation Factor(MAX) (tanδ) | Rated Voltage (Vdc) | 160 200 250 350 400 450 (20°C, 120Hz) |
| | tanδ | 0.15 0.15 0.15 0.20 0.20 0.20 |
| Endurance | After applying rated voltage with rated ripple current for 5000 hrs at 105°C, the capacitors shall meet the following requirements. | |
| | Capacitance Change | Within ±20% of the initial value. |
| | Dissipation Factor | Not more than 200% of the specified value. |
| Low Temperature Stability Impedance Ratio(MAX) | Rated Voltage (Vdc) | 160 200 250 350 400 450 (120Hz) |
| | Z(-25°C)/Z(20°C) | 3 3 3 6 6 6 |

◆MULTIPLIER FOR RIPPLE CURRENT

| Frequency (Hz) | | 120 | 1k | 10k | 100k ≤ |
|----------------|-----------|-----|-----|-----|--------|
| Coefficient | 2.2~4.7µF | 0.2 | 0.4 | 0.8 | 1.0 |
| | 6.8~10µF | 0.3 | 0.6 | 0.9 | 1.0 |
| | 22~100µF | 0.5 | 0.8 | 0.9 | 1.0 |

◆OPTION

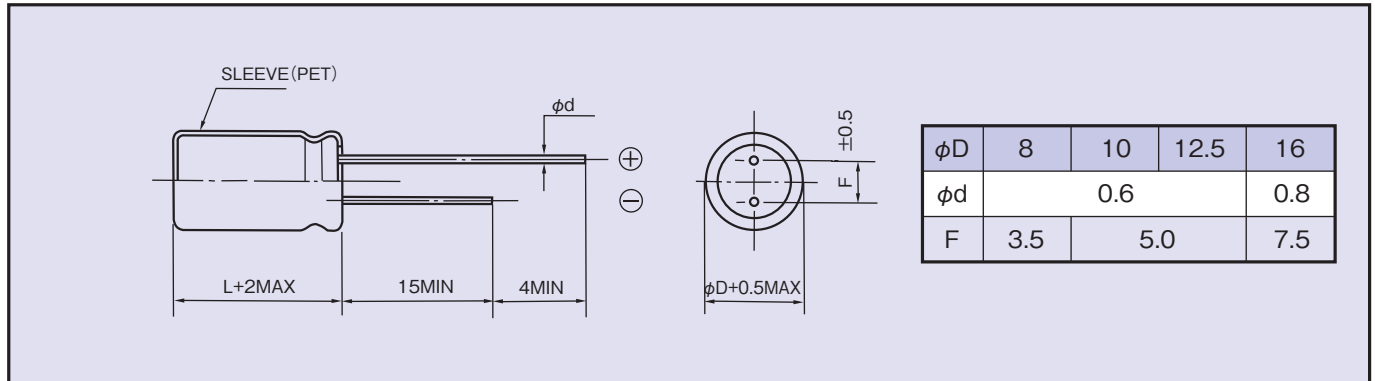
| | Code |
|------------|------|
| PET Sleeve | EFC |

◆PART NUMBER

| | | | | | | |
|---------------|--------|-------------|-----------------------|--------|--------------|-----------|
| □□□ | CFX | □□□□□ | M | □□□ | □□ | DXL |
| Rated Voltage | Series | Capacitance | Capacitance Tolerance | Option | Lead Forming | Case Size |

◆ **DIMENSIONS**

(mm)



◆ **STANDARD SIZE**

| Rated Voltage (Vdc) | Capacitance (μF) | Size $\phi D \times L$ (mm) | Rated Ripple Current (mA r.m.s. 105°C, 100kHz) |
|---------------------|-------------------------|-----------------------------|--|
| 160 | 27 | 10×12.5 | 601 |
| 200 | 10 | 10×16 | 300 |
| | 22 | 10×12.5 | 595 |
| | | 10×16 | 360 |
| | 33 | 10×20 | 500 |
| | 47 | 12.5×20 | 660 |
| | 68 | 12.5×25 | 760 |
| | 100 | 16×25 | 1120 |
| 250 | 6.8 | 10×12.5 | 340 |
| | 10 | 10×16 | 300 |
| | 15 | 10×12.5 | 468 |
| | 22 | 10×20 | 500 |
| | 33 | 12.5×20 | 600 |
| | 47 | 12.5×25 | 720 |
| | 68 | 16×25 | 920 |

| Rated Voltage (Vdc) | Capacitance (μF) | Size $\phi D \times L$ (mm) | Rated Ripple Current (mA r.m.s. 105°C, 100kHz) | |
|---------------------|-------------------------|-----------------------------|--|-----|
| 350 | 3.3 | 10×16 | 180 | |
| | 4.7 | 10×16 | 220 | |
| | 6.8 | 10×16 | 220 | |
| | 10 | 10×12.5 | 400 | |
| | | 10×20 | 280 | |
| | 22 | 12.5×20 | 350 | |
| | 33 | 12.5×25 | 430 | |
| | 47 | 16×25 | 660 | |
| | 400 | 2.2 | 10×16 | 160 |
| | | 3.3 | 10×16 | 180 |
| 4.7 | | 10×16 | 220 | |
| 6.8 | | 10×16 | 220 | |
| 8.2 | | 8×23 | 400 | |
| | | 10×12.5 | 330 | |
| 10 | | 10×20 | 280 | |
| 22 | | 12.5×25 | 430 | |
| 33 | | 16×25 | 640 | |
| 450 | | 3.3 | 10×12.5 | 307 |