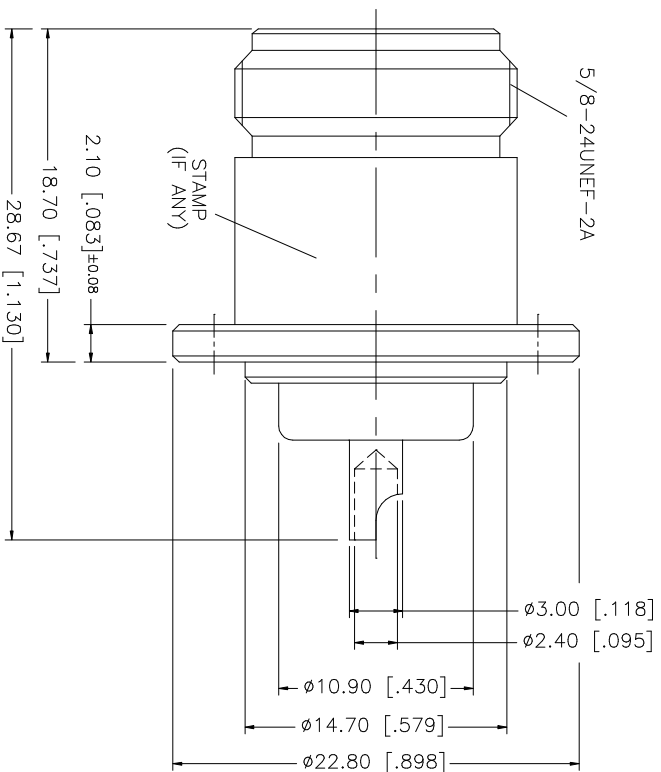


REV.	DATE	DESCRIPTION
A	12/09/03	UPDATE DRAWING FORMAT



QTY	FINISH	MATERIAL	DESCRIPTION
1	GOLD	PHOS. BRONZE	CONTACT PIN
1	NATURAL	TEFLON	INSULATOR
1	NEXCOTE	BRASS	BODY

UNLESS OTHERWISE SPECIFIED, DIMENSIONS ARE IN MILLIMETERS. DIMENSIONS IN [] ARE IN INCHES AND FOR CUSTOMER REFERENCE ONLY.		
UNLESS OTHERWISE SPECIFIED, TOLERANCES FOR MILLIMETERS ARE:		
0.5 - 8mm	± 0.20mm	
8 - 30mm	± 0.40mm	
30 - 120mm	± 0.50mm	
UNLESS OTHERWISE SPECIFIED, TOLERANCES FOR INCHES ARE:		
.020 - .315	± 0.0075"	
.315 - 1.180	± 0.015"	
1.180 - 4.724	± 0.020"	
DO NOT SCALE DRAWING		

APPROVALS	DATE
DRAWN G.R.S.	12/09/03
CHECKED	
ISSUED	
SHEET 1 OF 1	

CAD FILE	C:/172/172201.DWG
DWG NO.	172201.DWG
REV.	A
SIZE	A
SCALE	NA

Amphenol Connex	
PART DESCRIPTION	
N ROUND FLANGE RECEPTACLE JACK	
PART NO.	172201