

SIGN	DATE	DESCRIPTION	APPROVER
△	2012.10.03	USB 2.0 detail added	SHIN

THIS IS CAD DRAWING, DO NOT REVISE MANUALLY!!!

PART NUMBER:

**USB-A2HSXX**

COLOR:  
B: Black  
W: White

PLATING:  
6: Selective Au Flash/50u" Ni  
8: Selective 30u" Au/50u" Ni (USB 2.0)

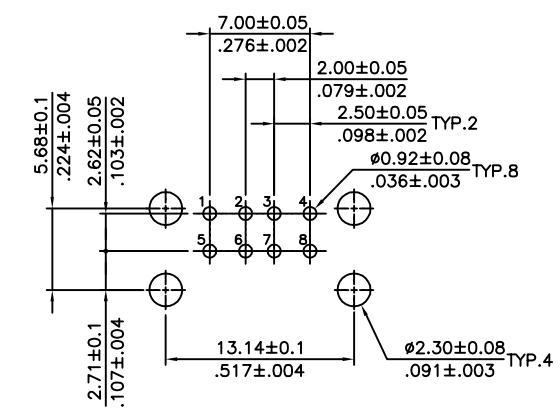
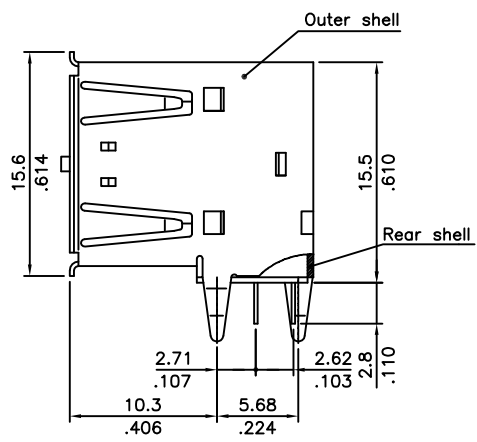
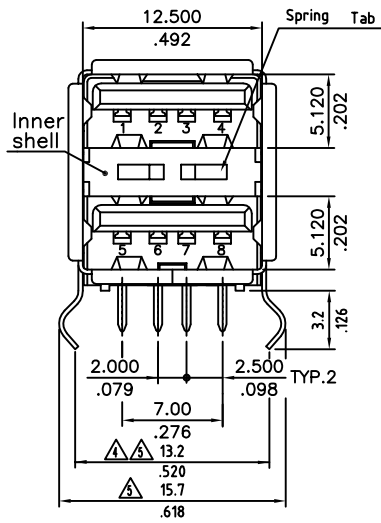
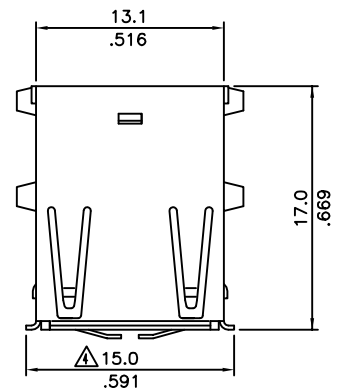
Material

- Insulator: Glass Filled Polyester
- Flammability: UL94V-0
- Contacts: Phosphor Bronze
- Contact Plating: See options
- Shell: Brass
- Shell Plating: 100u" Min. Tin over 40u" Nickel

Ratings

- Current: 1A
- Voltage: 30V AC(r.m.s.)
- Dielectric Withstanding Voltage: 750V AC at sea level
- Contact Resistance: <30mΩ
- Insulation Resistance: >1,000 MΩ
- Operating Temperature: 0° - +50°
- Storage Temperature: -40° - +60°

RoHS Compliant



Recommended P.C. Board Layout



THESE DRAWINGS AND SPECIFICATIONS ARE THE PROPERTY OF ON-SHORE TECHNOLOGY, INC. AND SHALL NOT BE REPRODUCED, COPIED OR USED IN ANY MANNER WITHOUT THE PRIOR WRITTEN CONSENT OF ON-SHORE TECHNOLOGY, INC.

TITLE		USB - A type, Horizontal, thru hole, Dual Port	
PART NO.	USB-A2HSXX	DWG NO.	USB-A2HSXX.DWG
APPROVED	CHECKED	DESIGNED	DRAWN
	Marvin 2002.03.12	Marvin 2002.03.12	Marvin 2002.03.12
		4050	
		Tolerance	
		UNIT: mm/inches SCALE: NONE X.* ±1° X.X ±0.30/.012 X.XX ±0.20/.008 X.XXX ±0.10/.004	
		SHEET: 01/01	
		REV.: A	