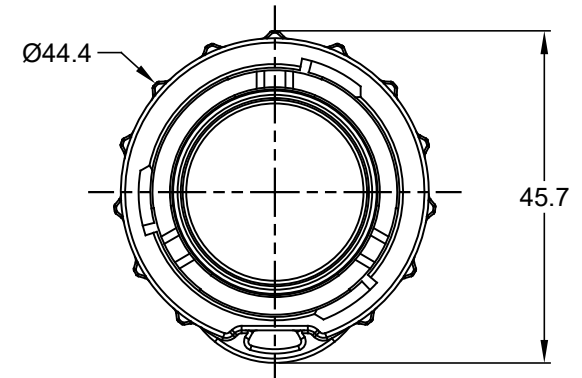
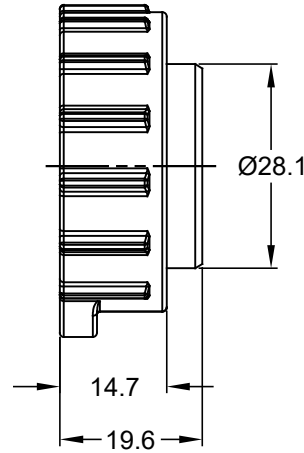
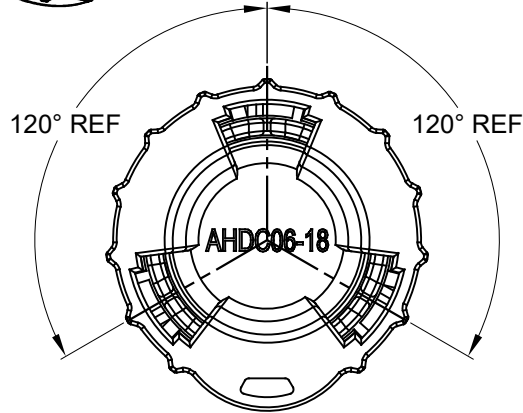
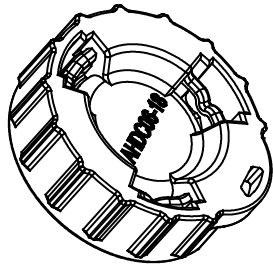


REVISIONS

REV	ECO	DESCRIPTION	DATE	BY	APPR
01		PRELIMINARY DRAWING	11APR17	SULLEN	TOMMY
02		CHANGE P/N TO AHDC06-18	18MAY17	SULLEN	TOMMY
03		CHANGE DIMENSIONS	21JUL17	SULLEN	TOMMY



NOTES: UNLESS OTHERWISE SPECIFIED

1. MATERIAL: THERMOPLASTIC
2. COLORS: BLACK
3. RoHS COMPLIANT
4. COMPATIBLE WITH ALL SIZE 18 AHDP SERIES RECEPTACLE.
5. ALL DIMENSIONS ARE FOR REFERENCE USE ONLY.

AHDC06-18		DESCRIPTION		ITEM
PART NUMBER		DESCRIPTION		ITEM
QUANTITY	MATERIALS LIST			
UNLESS OTHERWISE SPECIFIED		SIGNATURES	DATE	<h1>Amphenol</h1> <p>Sine Systems - www.amphenol-sine.com 44724 Morley Drive Clinton Township, MI 48036</p>
1) All dimensions are in metric(mm).		DRAWN: SULLEN.ZHANG	21JUL17	
2) Tolerances are as follows:		CHECKED: ORION.LI	21JUL17	
1 PL DEC ±0.30 2 PL DEC ±0.15 3 PL DEC ±0.08		ENGINEER:		
3) Note reference =		APPROVAL: TOMMY.XIE	21JUL17	
MATERIAL SPECIFICATIONS:		CUSTOMER:		PRETECTIVE CAP FOR RECEPTACLE, AHDP SERIES, SIZE 18
PROCESS SPECIFICATIONS:		THIS DRAWING IS SUPPLIED FOR INFORMATION ONLY. DESIGN FEATURES, SPECIFICATIONS AND PERFORMANCE DATA SHOWN HEREON ARE THE PROPERTY OF THE AMPHENOL CORPORATION. NO RIGHTS OF REPRODUCTION ARE IMPLIED. ALL DIMENSIONS ARE SUBJECT TO NORMAL MANUFACTURING VARIATIONS.		
NEXT ASSY:				
SIZE	TYPE	DWG NO:	REVISION	
A	C-	AHDC06-18	03	
SCALE: NONE		SHEET 1 OF 1		