



OMAP-L138 SOM-M1 Hardware Specification

Hardware Documentation

Logic PD // Products
Published: August 2009
Last revised: November 2010

This document contains valuable proprietary and confidential information and the attached file contains source code, ideas, and techniques that are owned by Logic Product Development Company (collectively "Logic PD's Proprietary Information"). Logic PD's Proprietary Information may not be used by or disclosed to any third party except under written license from Logic Product Development Company.

Logic Product Development Company makes no representation or warranties of any nature or kind regarding Logic PD's Proprietary Information or any products offered by Logic Product Development Company. Logic PD's Proprietary Information is disclosed herein pursuant and subject to the terms and conditions of a duly executed license or agreement to purchase or lease equipment. The only warranties made by Logic Product Development Company, if any, with respect to any products described in this document are set forth in such license or agreement. Logic Product Development Company shall have no liability of any kind, express or implied, arising out of the use of the Information in this document, including direct, indirect, special or consequential damages.

Logic Product Development Company may have patents, patent applications, trademarks, copyrights, trade secrets, or other intellectual property rights pertaining to Logic PD's Proprietary Information and products described in this document (collectively "Logic PD's Intellectual Property"). Except as expressly provided in any written license or agreement from Logic Product Development Company, this document and the information contained therein does not create any license to Logic PD's Intellectual Property.

The Information contained herein is subject to change without notice. Revisions may be issued regarding changes and/or additions.

© Copyright 2010, Logic Product Development Company. All Rights Reserved.

Revision History

REV	EDITOR	REVISION DESCRIPTION	Schematic PN & REV	APPROVAL	DATE
1	RS & JCA	Internal release	—	—	07/24/09
2	RS & JCA	Initial Beta release	1013536 Rev 3 1013253 Rev 3	JCA	08/21/09
3	RS	-Section 3.2: Added typical active current numbers to table	1013536 Rev 3 1013253 Rev 3	RS	10/05/09
4	JCA	-Added Section 2.3.4 and referenced drawings in Appendix B -Appendix A: corrected J2 and J3 connector locations on drawing	1013536 Rev 3 1013253 Rev 3	JCA	11/03/09
5	JCA	-Section 2.3.1: Corrected height of SOM; -Section 2.4: Added Industrial temperature range; Added Caution about system temperatures when enabling SATA; -Updated mechanical drawings in Appendices	1014647 Rev A 1014576 Rev A	KTL	11/05/10

Please check www.logicpd.com for the latest revision of this document, product change notifications, and additional documentation.

Table of Contents

1	Introduction	1
1.1	Product Overview	1
1.2	Abbreviations, Acronyms, & Definitions	1
1.3	Nomenclature	2
1.4	Scope of Document	2
1.5	Additional Documentation Resources	2
2	Functional Specification	4
2.1	Processor	4
2.1.1	OMAP-L138 Processor	4
2.1.2	OMAP-L138 Processor Block Diagram	5
2.2	SOM Interface	5
2.2.1	OMAP-L138 SOM-M1 Block Diagram	6
2.3	Mechanical Specifications	6
2.3.1	Mechanical Characteristics of SOM	6
2.3.2	Interface Connectors	7
2.3.3	OMAP-L138 SOM-M1 Mechanical Drawings	7
2.3.4	Example OMAP-L138 SOM-M1 Retention Methods	7
2.4	Temperature Specifications	7
3	Electrical Specification	8
3.1	Absolute Power Maximum Ratings	8
3.2	Recommended Power Operating Conditions	8
4	Peripheral Specification	9
4.1	Clocks	9
4.2	Memory	9
4.2.1	Mobile DDR	9
4.2.2	SPI Flash	9
4.3	10/100 Ethernet PHY	9
4.4	Display Interface	10
4.5	Serial Interfaces	10
4.5.1	UART0-2	10
4.5.2	SPI0/1	10
4.5.3	I2C0/1	11
4.5.4	McBSP0/1	11
4.5.5	McASP	11
4.6	USB Interface	11
4.7	ADC/Touch Interface	11
4.8	General Purpose I/O (GPIO)	11
4.9	Expansion/Feature Options	12
5	System Integration	13
5.1	Custom Configuration	13
5.2	Resets	13
5.2.1	Master Reset (MSTR_nRST)—Reset Input	13
5.2.2	SOM Reset (RESETOUTn)—Reset output	13
5.3	Interrupts	14
5.4	JTAG Debugger Interface	14
5.5	Power Management	14
5.5.1	System Power Supplies	14
5.5.1.1	5V	14
5.5.1.2	USB0_VBUS	14
5.5.1.3	MAIN_BATT_IN	15
5.5.1.4	VRTC_IN	15
5.5.2	Dual Voltage I/O	15
5.5.3	System Power Management	15

5.5.4	Microcontroller	16
5.6	ESD Considerations	16
6	Memory & I/O Mapping.....	17
7	Pin Descriptions & Functions	18
7.1	J1 Connector 100-Pin Descriptions	18
7.2	J2 Connector 100-Pin Descriptions	24
7.3	J3 Connector 100-Pin Descriptions	28
Appendix A: OMAP-L138 SOM-M1 Mechanical Drawing		32
Appendix B: Example OMAP-L138 SOM-M1 Retention Methods.....		34

Table of Figures

Figure 2.1: OMAP-L138 Processor Block Diagram	5
Figure 2.2: OMAP-L138 SOM-M1 Block Diagram	6

1 Introduction

1.1 Product Overview

The OMAP-L138 System on Module (SOM) is a compact, product-ready hardware and software solution that fast forwards embedded designs while reducing risk and controlling cost.

Based on Texas Instruments' OMAP-L138 processor and designed in the SOM-M1 form factor, the OMAP-L138 module offers essential features for handheld and embedded networking applications. The OMAP-L138 SOM-M1 features the superset OMAP-L138 processor, but also supports the TMS320C6748 digital signal processor (DSP).

The OMAP-L138 SOM-M1 brings the industry leading low power ARM926 core to a small, off-the-shelf solution. The standard SOM-M1 form factor allows developers to reuse existing baseboard designs when upgrading to new OMAP processors, which extends roadmap possibilities for their end-product.

Two Zoom™ Development Kit options allow developers to choose the platform best suited to their application needs. By starting with the corresponding Zoom Development Kit, engineers can write application software on the same hardware that will be used in their final product.

The compact size of the OMAP-L138 SOM-M1 is ideal for medical patient monitoring wearables and other portable instrumentation applications; the built-in Serial ATA (SATA) controller provides fast access to large capacity storage devices. For medical, industrial, audio, and communication products, the OMAP-L138 SOM-M1 allows for powerful versatility, long-life, and greener products.

1.2 Abbreviations, Acronyms, & Definitions

ADC	Analog to Digital Converter
BOM	Bill of Materials
BSP	Board Support Package
BTB	Board-to-Board
DAC	Digital to Analog Converter
DMA	Direct Memory Access
DSP	Digital Signal Processor
EDMA	Enhanced Direct Memory Access
EMIFA	External Memory Interface
ESD	Electrostatic Discharge
FIFO	First In First Out
HPI	Host Port Interface
GPIO	General Purpose Input Output
GPMC	General Purpose Memory Controller
Hi-Z	High Impedance
I2C	Inter-Integrated Circuit
I2S	Inter-Integrated Circuit Sound
IC	Integrated Circuit
I/O	Input/Output
IRQ	Interrupt Request
LCD	Liquid Crystal Display
LDO	Low Dropout (Regulator)
McASP	Multi-channel Audio Serial Port
McBSP	Multi-channel Buffered Serial Port
mDDR	Mobile Double Data Rate (RAM)

MDIO	Management Data Input/Output
MMU	Memory Management Unit
MPU	Memory Protection Unit (ARM processor core)
OTG	On-the-Go (USB)
PCB	Printed Circuit Board
PCMCIA	Personal Computer Memory Card International Association (PC Cards)
PHY	Physical Layer
PLL	Phase Lock Loop
PWM	Pulse Width Modulation
RTC	Real Time Clock
SATA	Serial ATA
SDRAM	Synchronous Dynamic Random Access Memory
SOM	System on Module
SOM-M1	SOM form factor type used for the OMAP-L138 and TMS320C6748 modules
SPI	Standard Programming Interface
STN	Super-Twisted Nematic (LCD)
TFT	Thin Film Transistor (LCD)
TI	Texas Instruments
TSC	Touch Screen Controller
UART	Universal Asynchronous Receive Transmit
uPP	Universal Parallel Port
USB	Universal Serial Bus
VLIW	Very Long Instruction Word
VPIF	Video Port Interface

1.3 Nomenclature

- The terms “SOM” and “SOM-M1” are used interchangeably throughout this document and can be assumed to mean the same thing within this text. The SOM-M1 is a specific form factor type of Logic’s SOM.
- TMS320C6748, C6748, and C674x can be assumed to all represent the TMS320C6748 DSP core.

1.4 Scope of Document

- This Hardware Specification is unique to the design and use of the OMAP-L138 SOM-M1 as designed by Logic and does not intend to include information outside of that scope. Detailed information about the Texas Instruments (TI) OMAP-L138 processor or any other device component on the SOM can be found in their respective manuals and specification documents; please see Section 1.5 for additional resources.
- This Hardware Specification applies to both the OMAP-L138 SOM-M1 and TMS320C6748 SOM-M1. The OMAP-L138 processor and TMS320C6758 DSP are identical, with the exception that the OMAP-L138 is a dual-core processor with an ARM9 core and a C674x core. Both processors—and therefore both SOMs—have the same peripheral set and the same pin functions.

1.5 Additional Documentation Resources

The following documents or documentation resources are referenced within this Hardware Specification.

- TI’s *OMAP-L138 Low-Power Applications Processor Datasheet, User Guides, Application Notes, White Papers, and Errata*
<http://www.ti.com/omap-l138-prprod1>

- TI's *TPS65070 Datasheet*
<http://focus.ti.com/docs/prod/folders/print/tps65070.html>
- USB 2.0 Specification, available from USB.org
<http://www.usb.org/developers/docs/>
- U-Boot documentation
<http://www.denx.de/wiki/U-Boot/WebHome>
- Logic *OMAP-L138 Baseboard BOM, Schematic, and Layout*
<http://support.logicpd.com/downloads/1216/>
- Logic *OMAP-L138 SOM-M1 BOM, Schematic, and Layout* (128 MB mDDR configuration included with the EVM Development Kit)
<http://support.logicpd.com/downloads/1215/>
- Logic *OMAP-L138 SOM-M1 BOM, Schematic, and Layout* (64 MB mDDR configuration included with the eXperimenter Kit)
<http://support.logicpd.com/downloads/1227/>
- Logic *TMS320C6748 SOM-M1 BOM, Schematic, and Layout* (included with the EVM Development Kit)
<http://support.logicpd.com/downloads/1228/>

2 Functional Specification

2.1 Processor

2.1.1 OMAP-L138 Processor

The OMAP-L138 SOM-M1 uses TI's high-performance OMAP-L138 processor. This device contains two cores: an ARM926EJ-S MPU core and a C674x VLIW DSP core. The OMAP-L138 provides many integrated on-chip peripherals, including:

- ARM® ARM926EJ-S™ RISC core
- C674x VLIW DSP core
- Integrated LCD Controller
 - Up to 1024 x 1024 x 16 bit color
- Three UARTs
- I2S codec interface
- Universal Serial Bus (USB)
 - One high-speed USB 2.0 On-the-Go (OTG) interface
 - One full-speed USB 1.1 host interface
- Serial ATA Controller
 - SATA I (1.5Gb/s) or SATA II (3Gb/s)
- Many general purpose I/O (GPIO) signals
- Programmable timers
- Real time clock (RTC)
- Low power modes

IMPORTANT NOTE: The OMAP-L138 processor is heavily multiplexed; using one peripheral may preclude the use of another. Users should carefully review the processor pinout, SOM pinout, and OMAP-L138 multiplexing table. See TI's *OMAP-L138 Low-Power Applications Processor Datasheet*, User Guides, and Application Notes for additional information.

IMPORTANT NOTE: Please visit TI's website for errata on the OMAP-L138.

2.1.2 OMAP-L138 Processor Block Diagram

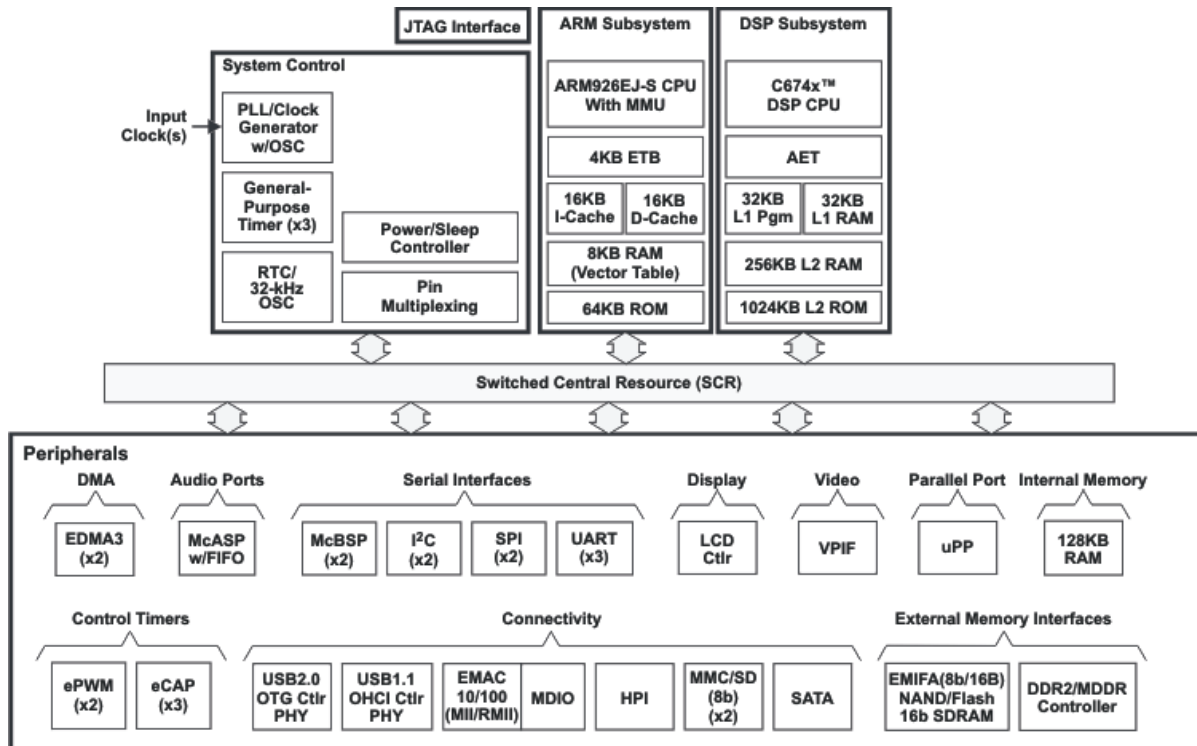


Figure 2.1: OMAP-L138 Processor Block Diagram

Note: The block diagram pictured above comes from TI's *OMAP-L138 Low-Power Applications Processor Data Sheet* (document number SPRS586–June 2009). Available from TI's website: <http://www.ti.com/lit/gpn/omap-138>.

2.2 SOM Interface

Logic's common SOM interface allows for easy migration to new processors and technology. Logic is constantly researching and developing new technologies to improve performance, lower cost, and increase feature capabilities. By using the common SOM footprint, it is possible to take advantage of Logic's work without having to re-spin the old design in certain cases dependent upon peripheral usage. Contact Logic sales for more information (product.sales@logicpd.com).

In fact, encapsulating a significant amount of your design onto the SOM reduces any long-term risk of obsolescence. If a component on the SOM design becomes obsolete, Logic will simply design for an alternative part that is transparent to your product. Furthermore, Logic tests all SOMs prior to delivery, decreasing time-to-market and ensuring a simpler and less costly manufacturing process.

2.2.1 OMAP-L138 SOM-M1 Block Diagram

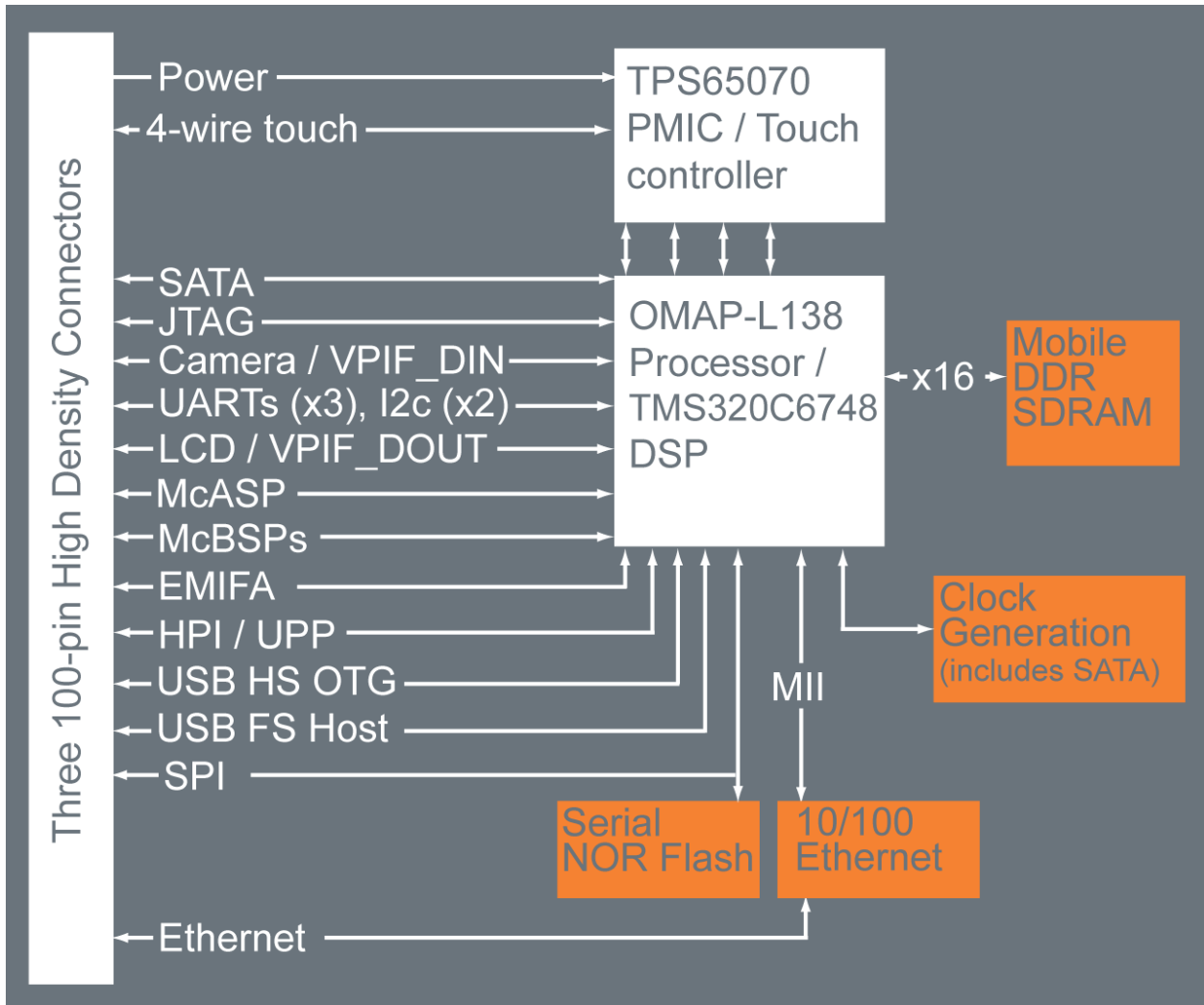


Figure 2.2: OMAP-L138 SOM-M1 Block Diagram

2.3 Mechanical Specifications

2.3.1 Mechanical Characteristics of SOM

Parameter	Min	Typical	Max	Unit	Notes
Dimensions	—	30 x 40 x 4.1	—	mm	1
Weight	—	7	—	Grams	2
Connector Insertion/Removal	—	30	—	Cycles	—

Notes:

1. The OMAP-L138 SOM-M1 in the Zoom OMAP-L138 EVM Development Kit includes power measurement circuitry along one edge of the SOM. This additional circuitry increases the PCB size to 33.7 x 40 x 4.1 mm. All other OMAP-L138 SOM-M1 modules, including those available in production volumes, are the typical size listed above.
2. May vary depending on SOM configuration.

2.3.2 Interface Connectors

The OMAP-L138 SOM-M1 connects to a PCB baseboard through three 100-pin board-to-board (BTB) socket connectors.

Ref Designator	Manufacturer	SOM Connector P/N	Mating Connector P/N
J1, J2, J3	Hirose	DF40C-100DP-0.4V(51)	DF40C-100DS-0.4V(51)

2.3.3 OMAP-L138 SOM-M1 Mechanical Drawings

Please see Appendix A for mechanical drawings of the OMAP-L138 SOM-M1 and recommended baseboard footprint layout.

2.3.4 Example OMAP-L138 SOM-M1 Retention Methods

Please see Appendix B for mechanical drawings demonstrating three possible retention methods for the OMAP-L138 SOM-M1. These drawings are only meant to serve as possible solutions and should not be considered final designs for retention.

2.4 Temperature Specifications

Parameter	Min	Typical	Max	Unit	Notes
Commercial Operating Temperature	0	25	70	°C	—
Industrial Operating Temperature	-40	25	85	°C	—
Storage Temperature	-40	25	85	°C	—

CAUTION: Systems using the SATA interface on the OMAP-L138 SOM-M1 may require additional heat dissipation techniques in order to comply with the high end of the system temperature limitation. It is the responsibility of the engineer to ensure the OMAP-L138 SOM-M1 maintains a safe operating temperature within the system.

3 Electrical Specification

3.1 Absolute Power Maximum Ratings

Parameter	Symbol	Rating	Unit
DC 5 V Supply Voltage	5V	0.0 to 7.0	V
DC Main Battery Input Voltage	MAIN_BATT_IN	0.0 to 7.0	V
RTC Backup Battery Voltage	BACKUP_BATT	0.0 to 7.0	V

NOTE: These stress ratings are only for transient conditions. Operation at, or beyond, absolute maximum rating conditions may affect reliability and cause permanent damage to the SOM and its components.

3.2 Recommended Power Operating Conditions

Parameter	Min	Typical	Max	Unit	Notes
DC Main Battery Input Voltage	3.3	3.6	4.2	V	4
DC 5V Voltage	3.6	5.0	5.8	V	3
DC 5V Active Current	—	220	—	mA	5
DC 5V Active Current, no SATA	—	130	—	mA	6
DC RTC Backup Battery Voltage	1.8	3.3	3.6	V	
Input Signal High Voltage	0.65*VREF (1.8V)	—	VREF	V	2
	2 (3.3V)				
Input Signal Low Voltage	GND	—	0.35*VREF (1.8V)	V	2
			0.8 (3.3V)		
Output Signal High Voltage	2.40 (3.3V)	—	VREF	V	2
	VREF-0.45 (1.8V)				
Output Signal Low Voltage	GND	—	0.40 (3.3V)	V	2
			0.45 (1.8V)		

Notes:

1. General note: CPU power rails are sequenced on the module.
2. VREF represents the peripheral I/O supply reference for the specific CPU voltage rail. For $V_{I/OH}$ and $V_{I/OL}$, different values are provided for VREF = 1.8V and 3.3V.
3. Please see Section 5.5.1.1 for detailed information about 5V usage on the OMAP-L138 SOM-M1.
4. Please see Section 5.5.1.3 for detailed information about MAIN_BATT_IN usage on the OMAP-L138 SOM-M1.
5. Measurement was taken with a system consisting of SOM, baseboard, and UI board. The SOM was running the standard U-Boot software image. This power measurement represents current consumption on the SOM only (baseboard and UI board were excluded).
6. Same setup as Note 5 with the exception that the SATA clock generator was disabled by populating R146.

4 Peripheral Specification

4.1 Clocks

The OMAP-L138 SOM-M1 contains two crystals. One crystal is used to generate clocks for the processor core(s) and peripherals. The second crystal is dedicated to the RTC module.

The OMAP-L138 processor includes on-chip Phase Locked Loops (PLLs) and signal dividers which generate all core/peripheral clocks from a single external 24.000 MHz crystal. The maximum core processor operating frequency is 300 MHz. Optionally, on-chip module PLL0 provides an output:

SOM Pin#	SOM Net Name	OMAP-L138 Processor Pin
J3.18	uP_OBSCLK	CLKOUT/ UHPI_HDS2/ GP6[14]

IMPORTANT NOTE: Please see TI's *OMAP-L138 Low-Power Applications Processor Datasheet* and User Guides for additional information about processor clocking.

The OMAP-L138 processor also contains an on-chip Real Time Clock (RTC) module which is driven by an external 32.768 kHz crystal. The highly configurable RTC module provides a time reference to applications running on the OMAP-L138. The SOM contains a dedicated power input pin (J2.64, "VRTC_IN") and low dropout (LDO) which supplies the processor's dedicated RTC power rail (RTC_CVDD)

IMPORTANT NOTE: For more information on RTC power, see Section 5.5.1.4. For more information about software configuration of the RTC, see TI's *OMAP-L138 Low-Power Applications Processor Datasheet* and User Guides.

4.2 Memory

4.2.1 Mobile DDR

The OMAP-L138 SOM-M1 provides volatile memory via a single mDDR chip. Please refer to the *OMAP-L138 SOM-M1 Bill of Materials (BOM)* for the memory density of your specific SOM.

Other memory densities may be available for SOMs in production volumes. Please contact Logic Sales about custom configurations if your design requires different memory densities from Logic's standard SOM configurations: product.sales@logicpd.com.

4.2.2 SPI Flash

The OMAP-L138 SOM-M1 provides non-volatile memory via an 8 MB SPI flash chip. This is also the default boot device.

Other memory densities may be available for SOMs in production volumes. Please contact Logic Sales about custom configurations if your design requires different memory densities from Logic's standard SOM configurations: product.sales@logicpd.com.

4.3 10/100 Ethernet PHY

The OMAP-L138 SOM-M1 uses an SMSC LAN8710 Ethernet PHY to provide an easy-to-use networking interface. The four analog PHY interface signals (transmit/receive) each require an

external impedance matching circuit to operate properly. Logic provides an example circuit schematic in the *OMAP-L138 Baseboard Schematics*. Please note the TX+/- and RX+/- pairs must be routed as differential pairs on the baseboard PCB.

4.4 Display Interface

The OMAP-L138 has a built-in LCD controller supporting both synchronous (raster-type) and asynchronous (memory-mapped) panels.

The synchronous (raster) module supports STN, color STN, and TFT panels at a resolution of up to 1024 x 1024 x 16-bit color.

The asynchronous (memory-mapped) module supports a broad range of displays from monochrome character displays to TFT smart LCD panels. Displays driven by this module must contain their own memory and timing circuitry.

The signals from the OMAP-L138 LCD controller can be interfaced through the expansion connectors. See TI's *OMAP-L138 Low-Power Applications Processor Datasheet* for further information on the integrated LCD controller. Logic has written drivers for panels of different types and sizes. Please contact Logic before selecting a panel for your application.

IMPORTANT NOTE: Using the internal graphics controller will affect processor performance. Selecting display resolutions and color bits per pixel will vary processor busload.

4.5 Serial Interfaces

The OMAP-L138 SOM-M1 comes with the following serial channels: UART0-2, SPI0/1, I2C0/1, McBSP0/1, and McASP. If additional serial channels are required, please contact Logic for reference designs. Please see TI's *OMAP-L138 User Guides* for further information regarding serial communications.

4.5.1 UART0-2

The OMAP-L138 SOM-M1 provides three UART ports. UART0, UART1, and UART2 are asynchronous 16C550-compatible UARTs. These UARTs are high-speed serial interfaces that use 16-byte TX and RX FIFO registers; they are capable of sending and receiving serial data simultaneously. The signals from the SOM are not RS232 level signals. The end-product design must provide an external transceiver for RS232 applications. Logic has provided an example reference design with the Zoom OMAP-L138 Development Kits. When choosing an RS232 transceiver, the designer should keep in mind cost, availability, ESD protection, and data rates.

UART2 has been configured as the main SOM serial port. The UART2 baud rate is set to a default 115.2 Kbits/sec, though it supports most common serial baud rates.

4.5.2 SPI0/1

The OMAP-L138 SOM-M1 provides two SPI ports with multiple chip selects.

SPI1 is the default boot source for the OMAP-L138 SOM-M1. A serial flash chip is attached to SPI1 CS0.

4.5.3 I2C0/1

The OMAP-L138 SOM-M1 provides two I2C ports. The clock and data signals for both ports have 4.7K pull-up resistors to their respective power rails on the SOM. Please see TI's OMAP-L138 User Guides for further information.

I2C0 has been configured as the main SOM I2C port. I2C0 is used to control/configure many ICs on the SOM as well as the OMAP-L138 Development Kits.

4.5.4 McBSP0/1

The OMAP-L138 SOM-M1 supports two Multi-channel Buffered Serial Port (McBSP) interfaces. These interfaces are primarily designed to support AC97 and IIS modes, but they can also be configured for other serial formats. However, The McBSPs are not intended to be used as high-speed interfaces.

4.5.5 McASP

The OMAP-L138 SOM-M1 supports one Multi-channel Audio Serial Port (McASP). The McASP interface supports TDM streams, I2S protocols, and DIT.

Logic has provided an example reference design with the Zoom OMAP-L138 Development Kits; this reference design interfaces the OMAP-L138 McASP to a TLV320AIC3106 audio codec.

4.6 USB Interface

The OMAP-L138 SOM-M1 supports one USB 1.1 full-speed host port and one USB 2.0 OTG port, which can function as a host or device/client. The USB 2.0 port can operate at up to 480 Mbit/sec, and the USB 1.1 port can operate at up to 12 Mbit/sec. Both the USB 1.1 and USB 2.0 controllers are internal to the OMAP-L138 processor. For more information on using both the USB host and OTG interfaces, please see TI's OMAP-L138 User Guides.

IMPORTANT NOTE: In order to correctly implement USB on the SOM, additional impedance matching circuitry may be required on the USBx_D+ and USBx_D- signals before they can be used. USB 2.0 requirements specify the signals must be routed as differential pairs with a 90 ohm differential impedance. Refer to the *USB 2.0 Specification* for detailed information.

4.7 ADC/Touch Interface

The touch screen controller (TSC) on the OMAP-L138 SOM-M1 is an integrated feature of the TPS65070 PMIC. This TSC is used to support standard 4-wire resistive touch panels. The TPS65070 is connected to the OMAP-L138 by the I2C0 interface. Please see TI's *TPS65070 Datasheet* for more information.

4.8 General Purpose I/O (GPIO)

Logic designed the OMAP-L138 SOM-M1 to be flexible and provide multiple options for analog and digital GPIO. There are numerous digital GPIO pins on the SOM that interface to the OMAP-L138. See Section 7 of this document for more information. If certain peripherals are not desired, such as the LCD controller, chip selects, IRQs, or UARTs, then more GPIO pins become available.

4.9 Expansion/Feature Options

The OMAP-L138 SOM-M1 was designed for expansion and a variable feature set, providing all the necessary control signals and bus signals to expand the user's design. Some of these signals are buffered before reaching the expansion connectors. See TI's *OMAP-L138 Low-Power Applications Processor Datasheet* and User Guides and Logic's *OMAP-L138 SOM-M1 Schematics* for more details. Logic has experience implementing additional options, including: audio codecs, Ethernet ICs, co-processors, and components on SOMs. Please contact Logic for potential reference designs before selecting your peripherals.

5 System Integration

5.1 Custom Configuration

The OMAP-L138 SOM-M1 was designed to meet multiple applications for users with specific design and budget requirements. As a result, this SOM supports a variety of embedded operating systems, flexible mDDR and SPI flash memory footprints, and other hardware configurations. If your application needs require unique hardware or software configurations, please contact Logic Sales about custom SOMs available in production volumes: product.sales@logicpd.com.

5.2 Resets

The OMAP-L138 SOM-M1 has a reset input (MSTR_nRST) and a reset output (RESETOUTn). External devices use MSTR_nRST to assert reset to the product. The OMAP-L138 SOM-M1 uses RESETOUTn to indicate to other devices that the SOM is in reset.

5.2.1 Master Reset (MSTR_nRST)—Reset Input

Logic suggests that custom designs implementing the OMAP-L138 SOM-M1 use the MSTR_nRST signal as the “pin-hole” reset used in commercial embedded systems. The MSTR_nRST triggers a power-on-reset event to the OMAP-L138 processor and resets the entire CPU.

IMPORTANT NOTE: Any custom reset circuit design should guard the assertion of the reset lines during a low power state so as to prevent power-up in a low or bad power condition. (Powering up in a low or bad power condition will cause data corruption and, possibly, temporary system lockup). See the “Power Management” section of this document for further details. A low pulse on the MSTR_nRST signal will cause a system-wide reset.

Low Pulse on MSTR_nRST Signal:

A low pulse on the MSTR_nRST signal, asserted by an external source (for example, the reset button on the custom design application) will bring MSTR_nRST low until the assertion source is de-asserted. There is no delay beyond the de-assertion of the external MSTR_nRST signal source, so the custom design must ensure that the assertion time is sufficient for all related peripherals.

Logic suggests that for any external assertion source that triggers the MSTR_nRST signal, analog or digital, de-bouncing should be used to generate a clean, one-shot reset signal.

5.2.2 SOM Reset (RESETOUTn)—Reset output

All hardware peripherals should connect their hardware-reset pin to the RESETOUTn signal on the expansion connector. Internally, all OMAP-L138 SOM-M1 peripheral hardware reset pins are connected to the RESET_nOUT net.

If the output of the onboard voltage-monitoring circuit is asserted (active low), the user can expect to lose information stored in RAM. The data loss occurs because the CPU is reset to its reset defaults.

5.3 Interrupts

The OMAP-L138 interrupt controller allows either the ARM or DSP core to enable, disable, trigger, or service all interrupts. Most external GPIO signals can also be configured as interrupt inputs by configuring their pin control registers. Logic BSPs setup and process all onboard system and external SOM interrupt sources. Refer to TI's *OMAP-L138 Low-Power Applications Processor Datasheet* and User Guides for further information on using interrupts.

5.4 JTAG Debugger Interface

The JTAG connection on the OMAP-L138 allows recovery of corrupted flash memory, real-time application debug, and DSP development. There are several third-party JTAG debuggers available for TI microcontrollers. The following signals make up the JTAG interface to the OMAP-L138 processor: TDI, TMS, TCK, TDO, nTRST, RTCK, EMU0, EMU1, and MSTR_nRST (MSTR_nRST is only required for some JTAG tools; see the JTAG tool documentation for exact pinout). These signals should interface directly to a 14 or 20-pin 0.1" through-hole connector, as shown on Logic's *OMAP-L138 Baseboard Schematic*.

IMPORTANT NOTE: When laying out the JTAG connector, realize that it may not be numbered as a standard 14 or 20-pin 0.1" insulation displacement connector (IDC) through-hole connector. See the *OMAP-L138 Baseboard Schematic* for further details. Each JTAG tool vendor may define the IDC connector pin-out differently.

5.5 Power Management

5.5.1 System Power Supplies

In order to ensure a flexible design, the OMAP-L138 SOM-M1 has the following power areas: MAIN_BATT_IN, 5V, RTC_BATT. All power areas are inputs to the SOM. The module also provides output reference voltage 3.3V_or_1.8V. 3.3V_or_1.8V is an output from the SOM, and should only be used as a reference voltage input to level shifting devices on baseboard designs.

IMPORTANT NOTE: If USB0_VBUS is powered externally it will power the SOM, even if MAIN_BATT_IN and 5V are disconnected. Additionally, USB0_VBUS can charge MAIN_BATT_IN. Please refer to the *TPS65070 Datasheet* for more information.

5.5.1.1 5V

The 5V input is the main source of power for the OMAP-L138 SOM-M1. If power is present at the 5V input, the TPS65070 PMIC will preferentially select this power source over all other sources. If appropriate voltage is applied to the 5V input, the TPS65070 PMIC and OMAP-L138 processor will immediately start up and run. 5V input is capable of charging MAIN_BATT_IN.

For startup, acceptable 5V input range is: $3.6V < 5V \text{ input} < 5.8V$

At runtime, 5V range is: $UVLO < 5V \text{ input} < 5.8V$

UVLO = UnderVoltage LockOut

UVLO = 3.0V (default), $2.8V < UVLO < 3.25V$ (programmable)

5.5.1.2 USB0_VBUS

USB0_VBUS is an optional power source for the OMAP-L138 SOM-M1. If power is present at the USB0_VBUS input, the TPS65070 PMIC will preferentially select this source over

MAIN_BATT_IN. If appropriate voltage is applied to the USB0_VBUS input, the TPS65070 PMIC and OMAP-L138 processor will immediately start up and run. The USB0_VBUS input is capable of charging MAIN_BATT_IN.

5.5.1.3 MAIN_BATT_IN

The MAIN_BATT_IN input is designed to be connected to a typical single lithium-ion battery. The TPS65070 PMIC will only power the SOM from MAIN_BATT_IN if power is not present at 5V or USB0_VBUS inputs. If appropriate voltage is applied to the MAIN_BATT_IN input, the TPS65070 PMIC and OMAP-L138 processor will NOT immediately start up and run; a momentary low signal is also required on the PMIC_PB_IN pin. The TPS65070 PMIC is capable of charging MAIN_BATT_IN from either the 5V input or the USB0_VBUS input.

For startup, MAIN_BATT_IN range is: $3.6V < \text{MAIN_BATT_IN} < 4.2V$

At runtime, MAIN_BATT_IN range is: $\text{UVLO} < \text{MAIN_BATT_IN} < 4.2V$

UVLO = UnderVoltage LockOut

UVLO = 3.0V (default), $2.8V < \text{UVLO} < 3.25V$ (programmable)

IMPORTANT NOTES:

Though UVLO may be set as low as 2.8V, not all OMAP-L138 SOM-M1 circuits are capable of 2.8V operation. The SOM contains an internal 3.3V power rail, and devices connected to this rail may have dropout voltages much greater than UVLO. See Section 3.2 for the recommended range of input voltages.

Before designing a system which powers the OMAP-L138 SOM-M1 from MAIN_BATT_IN, the user should first review the following documents: *TPS65070 Datasheet*, *OMAP-L138 SOM-M1 Schematic*, and *OMAP-L138 Baseboard Schematic*.

5.5.1.4 VRTC_IN

The VRTC_IN power rail is used to power the onboard RTC module. Always power this rail to maintain the clock of the product. A lithium-ion coin cell typically supplies power to this rail.

5.5.2 Dual Voltage I/O

The OMAP-L138 processor and OMAP-L138 SOM-M1 uniquely support dual-voltage I/O. The user may select an operating voltage of either 1.8V or 3.3V through "IO_VOLTAGE_SEL" J1.37. For 3.3V operation, J1.37 should be left unconnected. For 1.8V operation, J1.37 should be tied directly to GND.

5.5.3 System Power Management

Good power management design is important in any system development and embedded system design is no exception. In embedded system design, power management is typically one of the most complicated areas due to the dramatic effect it has on product cost, performance, usability, and overall customer satisfaction. Many factors affect a power-efficient hardware design: power supply selection (efficiency), clocking design, IC and component selection, etc. The OMAP-L138 SOM-M1 was designed with these aspects in mind while also providing maximum flexibility in software and system integration.

On the OMAP-L138 there are many different software configurations that drastically affect power consumption: microcontroller core clock frequency, bus clock frequency, peripheral clocks, bus

modes, power management states; peripheral power states and modes; product user scenarios; interrupt handling; and display settings (resolution, backlight, refresh, bits per pixel, etc). These settings are typically initialized in the startup software routines and may be modified later in the operating system and application software. Information for these items can be found in the appropriate documents such as the *U-Boot User's Manual*, TI's *OMAP-L138 Low-Power Applications Processor Datasheet* and User Guides, *TPS65070 Datasheet*, and Logic's *OMAP-L138 SOM-M1 Schematic*.

5.5.4 Microcontroller

The OMAP-L138 processor's power management scheme was designed for ultra-low power, so naturally the static and dynamic power consumption has very flexible controls allowing designers to configure the processor to minimize end-product power consumption. Most peripheral modules can be powered on/off individually, and the core(s) can enter various levels of standby/sleep. To implement a low-power system, users should review TI's *OMAP-L138 Low-Power Applications Processor Datasheet* and User Guides, *TPS65070 Datasheet*, and Logic's *OMAP-L138 SOM-M1 Schematic*.

5.6 ESD Considerations

The OMAP-L138 SOM-M1 was designed to interface to a customer's peripheral board, while remaining low cost and adaptable to many different applications. The SOM does not provide any onboard ESD protection circuitry—this must be provided by the product it is used in. Logic has extensive experience in designing products with ESD requirements. Please contact Logic if you need any assistance in ESD design considerations.

6 Memory & I/O Mapping

OMAP-L138 chip select signals are described listed below:

Chip Select	Device/Feature	Notes
SPI0_SCS[0:5]	Not Available	MDIO/MII comm. interfaces on SOM
SPI1_SCS[0]	SPI Flash (boot)	LCD Backlight PWM on dev kit
SPI1_SCS[1]		LCD Backlight Power on dev kit
SPI1_SCS[2:3]		Available for use by an off-board external device
SPI1_SCS[4]		UART TXD on dev kit
SPI1_SCS[5]		UART RXD on dev kit
SPI1_SCS[6]	Not Available	I2C0 is used extensively for configuration/control on both the SOM and dev. kit
SPI1_SCS[7]	Not Available	I2C0 is used extensively for configuration/control on both the SOM and dev. kit
EMA_CS[0]		Available for use by an off-board external device
EMA_CS[2:5]		Available for use by an off-board external device
UHPI_HCS		Available for use by an off-board external device

7 Pin Descriptions & Functions

SOM Net Name: This is the name used in Logic's *OMAP-L138 SOM-M1 Schematics*.

Processor Name: This is the name used TI's *OMAP-L138 Low-Power Applications Processor Datasheet*.

I/O: This indicates the default pin configuration after booting U-Boot. Most pins can be reconfigured as either input or output. Consult Logic's *OMAP-L138 SOM-M1 Schematics* and TI's *OMAP-L138 Low-Power Applications Processor Datasheet* for more information.

Description: If a pull-up or pull-down resistor is present on the OMAP-L138 SOM-M1, it will be noted here. Special usage tips and cautions will be noted here. Consult Logic's *OMAP-L138 SOM-M1 Schematics* and TI's *OMAP-L138 Low-Power Applications Processor Datasheet* for more information.

7.1 J1 Connector 100-Pin Descriptions

J1 Pin#	SOM Net Name	Processor Name	I/O	Voltage	Description
1	uP_VPIF_DOUT8	VP_DOUT[8]/ LCD_D[8]/ UPP_XD[0]/ GP7[0]/ BOOT[0]	Hi-Z	3.3V or 1.8V (see Note 1)	LCD_G3 data bit when outputting RGB565 data to an RGB666 display. 4.7k pull-down on SOM. Used to latch boot mode at startup (see Note 2).
2	uP_VPIF_DOUT0	VP_DOUT[0]/ LCD_D[0]/ UPP_XD[8]/ GP7[8]	Hi-Z	3.3V or 1.8V (see Note 1)	LCD_B1 data bit when outputting RGB565 data to an RGB666 display.
3	uP_VPIF_DOUT9	VP_DOUT[9]/ LCD_D[9]/ UPP_XD[1]/ GP7[1]/ BOOT[1]	Hi-Z	3.3V or 1.8V (see Note 1)	LCD_G4 data bit when outputting RGB565 data to an RGB666 display. 4.7k pull-down on SOM. Used to latch boot mode at startup (see Note 2).
4	uP_VPIF_DOUT1	VP_DOUT[1]/ LCD_D[1]/ UPP_XD[9]/ GP7[9]	Hi-Z	3.3V or 1.8V (see Note 1)	LCD_B2 data bit when outputting RGB565 data to an RGB666 display.
5	uP_VPIF_DOUT10	VP_DOUT[10]/ LCD_D[10]/ UPP_XD[2]/ GP7[2]/ BOOT[2]	Hi-Z	3.3V or 1.8V (see Note 1)	LCD_G5 data bit when outputting RGB565 data to an RGB666 display. 4.7k pull-up on SOM. Used to latch boot mode at startup (see Note 2).
6	uP_VPIF_DOUT2	VP_DOUT[2]/ LCD_D[2]/ UPP_XD[10]/ GP7[10]	Hi-Z	3.3V or 1.8V (see Note 1)	LCD_B3 data bit when outputting RGB565 data to an RGB666 display.
7	uP_VPIF_DOUT11	VP_DOUT[11]/ LCD_D[11]/ UPP_XD[3]/ GP7[3]/ BOOT[3]	Hi-Z	3.3V or 1.8V (see Note 1)	LCD_R1 data bit when outputting RGB565 data to an RGB666 display. 4.7k pull-up on SOM. Used to latch boot mode at startup (see Note 2).
8	uP_VPIF_DOUT3	VP_DOUT[3]/ LCD_D[3]/ UPP_XD[11]/ GP7[11]	Hi-Z	3.3V or 1.8V (see Note 1)	LCD_B4 data bit when outputting RGB565 data to an RGB666 display.

J1 Pin#	SOM Net Name	Processor Name	I/O	Voltage	Description
9	uP_VPIF_DOUT12	VP_DOUT[12]/ LCD_D[12]/ UPP_XD[4]/ GP7[4]/ BOOT[4]	Hi-Z	3.3V or 1.8V (see Note 1)	LCD_R2 data bit when outputting RGB565 data to an RGB666 display. 4.7k pull-down on SOM. Used to latch boot mode at startup (see Note 2).
10	uP_VPIF_DOUT4	VP_DOUT[4]/ LCD_D[4]/ UPP_XD[12]/ GP7[12]	Hi-Z	3.3V or 1.8V (see Note 1)	LCD_B5 data bit when outputting RGB565 data to an RGB666 display. Notice that LCD_B0 is omitted; LCD_B5 (Blue MSB) is also connected to LCD_B0 (Blue LSB) when driving an 18 bit display with 16 bits.
11	uP_VPIF_DOUT13	VP_DOUT[13]/ LCD_D[13]/ UPP_XD[5]/ GP7[5]/ BOOT[5]	Hi-Z	3.3V or 1.8V (see Note 1)	LCD_R3 data bit when outputting RGB565 data to an RGB666 display. 4.7k pull-down on SOM. Used to latch boot mode at startup (see Note 2).
12	uP_VPIF_DOUT5	VP_DOUT[5]/ LCD_D[5]/ UPP_XD[13]/ GP7[13]	Hi-Z	3.3V or 1.8V (see Note 1)	LCD_G0 data bit when outputting RGB565 data to an RGB666 display.
13	uP_VPIF_DOUT14	VP_DOUT[14]/ LCD_D[14]/ UPP_XD[6]/ GP7[6]/ BOOT[6]	Hi-Z	3.3V or 1.8V (see Note 1)	LCD_R4 data bit when outputting RGB565 data to an RGB666 display. 4.7k pull-down on SOM. Used to latch boot mode at startup (see Note 2).
14	uP_VPIF_DOUT6	VP_DOUT[6]/ LCD_D[6]/ UPP_XD[14]/ GP7[14]	Hi-Z	3.3V or 1.8V (see Note 1)	LCD_G1 data bit when outputting RGB565 data to an RGB666 display.
15	uP_VPIF_DOUT15	VP_DOUT[15]/ LCD_D[15]/ UPP_XD[7]/ GP7[7]/ BOOT[7]	Hi-Z	3.3V or 1.8V (see Note 1)	LCD_R5 data bit when outputting RGB565 data to an RGB666 display. Notice that LCD_R0 is omitted; LCD_R5 (Red MSB) is also connected to LCD_R0 (Red LSB) when driving an 18 bit display with 16 bits. 4.7k pull-down on SOM. Used to latch boot mode at startup (see Note 2).
16	uP_VPIF_DOUT7	VP_DOUT[7]/ LCD_D[7]/ UPP_XD[15]/ GP7[15]	Hi-Z	3.3V or 1.8V (see Note 1)	LCD_G2 data bit when outputting RGB565 data to an RGB666 display.
17	uP_LCD_HSYNC	MMCS1_DAT[5]/ LCD_HSYNC/ GP8[9]	Hi-Z	3.3V or 1.8V (see Note 1)	—
18	uP_LCD_PCLK	MMCS1_DAT[7]/ LCD_PCLK/ GP8[11]	Hi-Z	3.3V or 1.8V (see Note 1)	22 ohm series R on SOM.
19	DGND	—	I	GND	Ground. Connect to digital ground.
20	DGND	—	I	GND	Ground. Connect to digital ground.
21	uP_LCD_VSYNC	MMCS1_DAT[4]/ LCD_VSYNC/ GP8[8]	Hi-Z	3.3V or 1.8V (see Note 1)	—
22	uP_LCD_MCLK	MMCS1_DAT[6]/ LCD_MCLK/ GP8[10]	Hi-Z	3.3V or 1.8V (see Note 1)	22 ohm series R on SOM.
23	uP_LCD_AC_ENB_C Sn	LCD_AC_ENB_C S/ GP6[0]	Hi-Z	3.3V or 1.8V (see Note 1)	—

J1 Pin#	SOM Net Name	Processor Name	I/O	Voltage	Description
24	uP_VPIF_CLKIN0	VP_CLKIN0/ UHPI_HCS/ GP6[7]/ UPP_2xTXCLK	Hi-Z	3.3V or 1.8V (see Note 1)	—
25	uP_USB0_DRVVBUS	USB0_DRVVBUS	O	—	—
26	uP_VPIF_DIN14	VP_DIN[14]_ HSYNC/ UHPI_HD[6]/ UPP_CHA_D[6]	Hi-Z	3.3V or 1.8V (see Note 1)	—
27	uP_VPIF_CLKO3	VP_CLKOUT3/ GP6[1]	Hi-Z	3.3V or 1.8V (see Note 1)	22 ohm series R on SOM.
28	uP_VPIF_DIN15	VP_DIN[15]_ VSYNC/ UHPI_HD[7]/ UPP_CHA_D[7]	Hi-Z	3.3V or 1.8V (see Note 1)	—
29	uP_RESETh	RESET	I	3.3V or 1.8V (see Note 4)	4.7k pull-up on SOM. Also connected to PGOOD on TPS65070 PMIC. PGOOD is an open drain output.
30	RFU	—	NA	NA	Reserved for future use. Do not connect.
31	uP_NMIh	NMI	I	3.3V or 1.8V (see Note 1)	4.7k pull-up on SOM. Also connected to INTn on TPS65070 PMIC. INTn is an open drain output.
32	uP_VPIF_DIN13	VP_DIN[13]_ FIELD/ UHPI_HD[5]/ UPP_CHA_D[5]	Hi-Z	3.3V or 1.8V (see Note 1)	—
33	PMIC_PB_IN	—	I/O	—	Input to TPS65070 PMIC, not OMAP-L138. See Section 5.5.1.3. Buffered version of this input can be read on OMAP-L138 pin EMA_RAS / GPIO2[5]
34	uP_VPIF_DIN12	VP_DIN[12]/ UHPI_HD[4]/ UPP_CHA_D[4]	Hi-Z	3.3V or 1.8V (see Note 1)	—
35	RFU	—	NA	NA	Reserved for future use. Do not connect.
36	uP_VPIF_DIN11	VP_DIN[11]/ UHPI_HD[3]/ UPP_CHA_D[3]	Hi-Z	3.3V or 1.8V (see Note 1)	—
37	IO_VOLTAGE_SEL	—	I/O	—	Input to TPS65070 PMIC, not OMAP-L138. See Section 5.5.2
38	uP_VPIF_DIN10	VP_DIN[10]/ UHPI_HD[2]/ UPP_CHA_D[2]	Hi-Z	3.3V or 1.8V (see Note 1)	—
39	uP_EPWM0_TZ[0]	AXR15/ EPWM0TZ[0]/ ECAP2_APWM2/ GP0[7]	Hi-Z	3.3V or 1.8V (see Note 1)	—
40	uP_VPIF_DIN9	VP_DIN[9]/UHPI_ HD[1]/UPP_CHA_ D[1]	Hi-Z	3.3V or 1.8V (see Note 1)	—
41	uP_EPWM1_TZ[0]	AXR7/ EPWM1TZ[0]/ GP1[15]	Hi-Z	3.3V or 1.8V (see Note 1)	—

J1 Pin#	SOM Net Name	Processor Name	I/O	Voltage	Description
42	uP_VPIF_DIN8	VP_DIN[8]/UHPI_HD[0]/UPP_CHA_D[0]/GP6[5]	Hi-Z	3.3V or 1.8V (see Note 1)	—
43	SATA_RXP	SATA_RXP	I	—	—
44	uP_SPI0_SCSn4	SPI0_SCS[4]/UART0_TXD/GP8[3]/MII_RXD[2]	I	3.3V or 1.8V (see Note 1)	MII bus is used to communicate between the OMAP-L138 processor and LAN8710 Ethernet PHY on the SOM. 4.7k pull-down on SOM.
45	SATA_RXN	SATA_RXN	I	—	—
46	uP_SPI0_SCSn3	SPI0_SCS[3]/UART0_CTS // GP8[2]/MII_RXD[1]/SATA_MP_SWITC H	I	3.3V or 1.8V (see Note 1)	MII bus is used to communicate between the OMAP-L138 processor and LAN8710 Ethernet PHY on the SOM. 4.7k pull-up on SOM.
47	DGND	—	I	GND	Ground. Connect to digital ground.
48	uP_SPI0_SCSn2	SPI0_SCS[2]/UART0_RTS/GP8[1]/MII_RXD[0]/SATA_CP_DET	I	3.3V or 1.8V (see Note 1)	MII bus is used to communicate between the OMAP-L138 processor and LAN8710 Ethernet PHY on the SOM. 4.7k pull-up on SOM.
49	RFU	—	NA	NA	Reserved for future use. Do not connect.
50	uP_SPI0_SCSn5	SPI0_SCS[5]/UART0_RXD/GP8[4]/MII_RXD[3]	I	3.3V or 1.8V (see Note 1)	MII bus is used to communicate between the OMAP-L138 processor and LAN8710 Ethernet PHY on the SOM. 4.7k pull-down on SOM.
51	RFU	—	NA	NA	Reserved for future use. Do not connect.
52	uP_UART2_RTSn	AMUTE/UART2_RTS/GP0[9]	O	3.3V or 1.8V (see Note 1)	—
53	DGND	—	I	GND	Ground. Connect to digital ground.
54	uP_UART2_CTSn	RSVD/RTC_ALARM/UART2_CTS/GP0[8]/DEEPSLEEP	I	3.3V or 1.8V (see Note 1)	—
55	SATA_TXN	SATA_TXN	O	—	—
56	uP_EMIFA_A15	EMA_A[15]/MMCSD0_DAT[6]/GP5[15]	Hi-Z	3.3V or 1.8V (see Note 1)	—
57	SATA_TXP	SATA_TXP	O	—	—
58	uP_EMIFA_A14	EMA_A[14]/MMCSD0_DAT[7]/GP5[14]	Hi-Z	3.3V or 1.8V (see Note 1)	—
59	uP_EMIFA_A21	EMA_A[21]/MMCSD0_DAT[0]/GP4[5]	Hi-Z	3.3V or 1.8V (see Note 1)	—
60	uP_UPP_CH0_CLK	MMCSD1_DAT[0]/UPP_CHB_CLK/GP8[15]	Hi-Z	3.3V or 1.8V (see Note 1)	22 ohm series R on SOM.
61	uP_EMIFA_A20	EMA_A[20]/MMCSD0_DAT[1]/GP4[4]	Hi-Z	3.3V or 1.8V (see Note 1)	—

J1 Pin#	SOM Net Name	Processor Name	I/O	Voltage	Description
62	uP_VPIF_CLKIN3	VP_CLKIN3/ MMCSD1_DAT[1]/ GP6[2]	Hi-Z	3.3V or 1.8V (see Note 1)	—
63	uP_EMIFA_A19	EMA_A[19]/ MMCSD0_DAT[2]/ GP4[3]	Hi-Z	3.3V or 1.8V (see Note 1)	—
64	uP_VPIF_CLKO2	VP_CLKOUT2/ MMCSD1_DAT2/ GP6[3]	Hi-Z	3.3V or 1.8V (see Note 1)	22 ohm series R on SOM.
65	3.3V_or_1.8V	—	O	3.3V or 1.8V (see Note 1)	I/O Voltage Output from SOM. Do not use this as a general purpose power source. Use this pin to power level shifters etc.
66	uP_VPIF_CLKIN2	VP_CLKIN2/ MMCSD1_DAT[3]/ GP6[4]	Hi-Z	3.3V or 1.8V (see Note 1)	—
67	3.3V_or_1.8V	—	O	3.3V or 1.8V (see Note 1)	I/O Voltage Output from SOM. Do not use this as a general purpose power source. Use this pin to power level shifters etc.
68	TOUCH_X1	—	I/O	—	Input to TPS65070 PMIC, not OMAP-L138. Touch Right (X+) Processor reads via I2C
69	uP_EMIFA_A18	EMA_A[18]/ MMCSD0_DAT[3]/ GP4[2]	Hi-Z	3.3V or 1.8V (see Note 1)	—
70	TOUCH_X2	—	I/O	—	Input to TPS65070 PMIC, not OMAP-L138. Touch Left (X-) Processor reads via I2C
71	uP_EMIFA_A17	EMA_A[17]/ MMCSD0_DAT[4]/ GP4[1]	Hi-Z	3.3V or 1.8V (see Note 1)	—
72	TOUCH_Y1	—	I/O	—	Input to TPS65070 PMIC, not OMAP-L138. Touch Up (Y+) Processor reads via I2C
73	uP_EMIFA_A16	EMA_A[16]/ MMCSD0_DAT[5]/ GP4[0]	Hi-Z	3.3V or 1.8V (see Note 1)	—
74	TOUCH_Y2	—	I/O	—	Input to TPS65070 PMIC, not OMAP-L138. Touch Down (Y-) Processor reads via I2C
75	uP_EMIFA_A22	EMA_A[22]/ MMCSD0_CMD/ GP4[6]	Hi-Z	3.3V or 1.8V (see Note 1)	—
76	uP_UPP_CH0_ENABLE	MMCSD1_CMD/ UPP_CHB_ENABLE/ GP8[13]	Hi-Z	3.3V or 1.8V (see Note 1)	—
77	uP_EMIFA_A23	EMA_A[23]/ MMCSD0_CLK/ GP4[7]	Hi-Z	3.3V or 1.8V (see Note 1)	—
78	uP_UPP_CH0_START	MMCSD1_CLK/ UPP_CHB_START/ GP8[14]	Hi-Z	3.3V or 1.8V (see Note 1)	—
79	DGND	—	I	GND	Ground. Connect to digital ground.
80	DGND	—	I	GND	Ground. Connect to digital ground.

J1 Pin#	SOM Net Name	Processor Name	I/O	Voltage	Description
81	uP_USB1_DM	USB1_DM	I/O	(see Note 3)	24.9 ohm series R on SOM. 15k pull-down on SOM.
82	uP_USB0_DM	USB0_DM	I/O	(see Note 3)	—
83	uP_USB1_DP	USB1_DP	I/O	(see Note 3)	24.9 ohm series R on SOM. 15k pull-down on SOM.
84	uP_USB0_DP	USB0_DP	I/O	(see Note 3)	—
85	RFU	—	NA	NA	Reserved for future use. Do not connect.
86	uP_USB0_ID	USB0_ID	I	+5V or GND	—
87	USB_VBUS	USB0_VBUS	I	+5V or GND	Also connects to TPS65070 PMIC. (see Note 4)
88	USB_VBUS	USB0_VBUS	I	+5V or GND	—
89	uP_UART1_CTSn	AHCLKX/ USB_REFCLKIN/ UART1_CTS/ GP0[10]	Hi-Z	3.3V or 1.8V (see Note 1)	22 ohm series R on SOM
90	5V_IN	—	I	5V	—
91	uP_UART1_RTSn	AHCLKR/ UART1_RTS/ GP0[11]	Hi-Z	3.3V or 1.8V (see Note 1)	22 ohm series R on SOM
92	5V_IN	—	I	5V	—
93	uP_SPI1_SCSn2	SPI1_SCS[2]/ UART1_TXD/ SATA_CP_POD/ GP1[0]	O	3.3V or 1.8V (see Note 1)	—
94	DGND	—	I	GND	Ground. Connect to digital ground.
95	uP_SPI1_SCSn3	SPI1_SCS[3]/ UART1_RXD/ SATA_LED/ GP1[1]	O	3.3V or 1.8V (see Note 1)	—
96	5V_IN	—	I	5V	—
97	uP_SPI1_SCSn4	SPI1_SCS[4]/ UART2_TXD/ I2C1_SDA/ GP1[2]	O	3.3V or 1.8V (see Note 1)	4.7k pull-up on SOM.
98	5V_IN	—	I	5V	—
99	uP_SPI1_SCSn5	SPI1_SCS[5]/ UART2_RXD/ I2C1_SCL/ GP1[3]	I	3.3V or 1.8V (see Note 1)	4.7k pull-up on SOM.
100	DGND	—	I	GND	Ground. Connect to digital ground.

Note 1: Most OMAP-L138 SOM-M1 I/O pins are dual-voltage capable; that is, the SOM I/O pins may be configured to operate at 3.3V or 1.8V. The desired I/O voltage is set via J1.37. See Section 5.5.2 for more information.

Note 2: At startup, the boot mode is determined by sampling BOOT[0:7] (i.e., LCD_D[8:15]). Resistors on the SOM pull these pins to a default value. User boards may select alternate boot modes by pulling selected pins opposite their default value; to do this, the user's board must use resistors of much lower impedance than those used on the SOM. User boards must ensure that other circuits do not drive or load down these pins at startup. Driving/loading these pins at startup may cause the processor to latch an incorrect boot mode. For compatibility with the SOM-M1 form factor, BOOT[1:4] (LCD_D[9,10,11,12] or J1.3,5,7,9) are connected to BOOTBIT[1:4] (J3.2,4,12,14) through zero ohm resistors.

Note 3: USB voltage levels follow the USB specification and depend on the USB operating speed. Please see the USB specification for more information.

Note 4: USB0_VBUS can be used to power the SOM. Please see the *TPS65070 Datasheet* for more information.

7.2 J2 Connector 100-Pin Descriptions

J2 Pin#	SOM Net Name	Processor Name	I/O	Voltage	Description
1	uP_EMIFA_D7	EMA_D[7]/ GP4[15]	Hi-Z	3.3V or 1.8V (see Note 1)	—
2	RFU	—	NA	NA	Reserved for future use. Do not connect.
3	uP_EMIFA_D8	EMA_D[8]/ GP3[0]	Hi-Z	3.3V or 1.8V (see Note 1)	—
4	uP_EMIFA_WAIT1	EMA_WAIT[1]/ GP2[1]	Hi-Z	3.3V or 1.8V (see Note 1)	4.7k pull-up on SOM
5	uP_EMIFA_D9	EMA_D[9]/ GP3[1]	Hi-Z	3.3V or 1.8V (see Note 1)	—
6	uP_EMIFA_WAIT0	EMA_WAIT[0]/ GP3[8]	Hi-Z	3.3V or 1.8V (see Note 1)	4.7k pull-up on SOM
7	uP_EMIFA_D10	EMA_D[10]/ GP3[2]	Hi-Z	3.3V or 1.8V (see Note 1)	—
8	RFU	—	NA	NA	Reserved for future use. Do not connect.
9	uP_EMIFA_D11	EMA_D[11]/ GP3[3]	Hi-Z	3.3V or 1.8V (see Note 1)	—
10	RFU	—	NA	NA	Reserved for future use. Do not connect.
11	uP_EMIFA_D12	EMA_D[12]/ GP3[4]	Hi-Z	3.3V or 1.8V (see Note 1)	—
12	uP_EMIFA_WEn	EMA_WE/ GP3[11]	Hi-Z	3.3V or 1.8V (see Note 1)	—
13	uP_EMIFA_D13	EMA_D[13]/ GP3[5]	Hi-Z	3.3V or 1.8V (see Note 1)	—
14	uP_EMIFA_OEn	EMA_OE/ GP3[10]	Hi-Z	3.3V or 1.8V (see Note 1)	—
15	uP_EMIFA_D14	EMA_D[14]/ GP3[6]	Hi-Z	3.3V or 1.8V (see Note 1)	—
16	uP_EMIFA_RnW	EMA_A_RW / GP3[9]	Hi-Z	3.3V or 1.8V (see Note 1)	4.7k pull-up on SOM.
17	uP_EMIFA_D15	EMA_D[15]/ GP3[7]	Hi-Z	3.3V or 1.8V (see Note 1)	—
18	uP_EMIFA_CLK	EMA_CLK/ GP2[7]	Hi-Z	3.3V or 1.8V (see Note 1)	—
19	DGND	—	I	GND	Ground. Connect to digital ground.
20	DGND	—	I	GND	Ground. Connect to digital ground.
21	uP_EMIFA_A0	EMA_A[0]/ GP5[0]	Hi-Z	3.3V or 1.8V (see Note 1)	—
22	uP_EMIFA_CS _{n5}	EMA_CS[5]/ GP3[12]	Hi-Z	3.3V or 1.8V (see Note 1)	—
23	uP_EMIFA_A1	EMA_A[1]/ GP5[1]	Hi-Z	3.3V or 1.8V (see Note 1)	—
24	uP_EMIFA_CS _{n4}	EMA_CS[4]/ GP3[13]	Hi-Z	3.3V or 1.8V (see Note 1)	—

J2 Pin#	SOM Net Name	Processor Name	I/O	Voltage	Description
25	uP_EMIFA_A2	EMA_A[2]/ GP5[2]	Hi-Z	3.3V or 1.8V (see Note 1)	—
26	uP_EMIFA_CSn3	EMA_CS[3]/ GP3[14]	Hi-Z	3.3V or 1.8V (see Note 1)	—
27	uP_EMIFA_A3	EMA_A[3]/ GP5[3]	Hi-Z	3.3V or 1.8V (see Note 1)	—
28	uP_EMIFA_CSn2	EMA_CS[2]/ GP3[15]	Hi-Z	3.3V or 1.8V (see Note 1)	—
29	uP_EMIFA_A4	EMA_A[4]/ GP5[4]	Hi-Z	3.3V or 1.8V (see Note 1)	—
30	RFU	—	NA	NA	Reserved for future use. Do not connect.
31	uP_EMIFA_A5	EMA_A[5]/ GP5[5]	Hi-Z	3.3V or 1.8V (see Note 1)	—
32	uP_EMIFA_CSn0	EMA_CS[0]/ GP2[0]	Hi-Z	3.3V or 1.8V (see Note 1)	—
33	uP_EMIFA_A6	EMA_A[6]/ GP5[6]	Hi-Z	3.3V or 1.8V (see Note 1)	—
34	uP_EMIFA_D0	EMA_D[0]/ GP4[8]	Hi-Z	3.3V or 1.8V (see Note 1)	—
35	uP_EMIFA_A7	EMA_A7/ GP5[7]	Hi-Z	3.3V or 1.8V (see Note 1)	—
36	uP_EMIFA_D1	EMA_D[1]/ GP4[9]	Hi-Z	3.3V or 1.8V (see Note 1)	—
37	uP_EMIFA_A8	EMA_A[8]/ GP5[8]	Hi-Z	3.3V or 1.8V (see Note 1)	—
38	uP_EMIFA_D2	EMA_D[2]/ GP4[10]	Hi-Z	3.3V or 1.8V (see Note 1)	—
39	uP_EMIFA_A9	EMA_A[9]/ GP5[9]	Hi-Z	3.3V or 1.8V (see Note 1)	—
40	uP_EMIFA_D3	EMA_D[3]/ GP4[11]	Hi-Z	3.3V or 1.8V (see Note 1)	—
41	uP_EMIFA_A10	EMA_A[10]/ GP5[10]	Hi-Z	3.3V or 1.8V (see Note 1)	—
42	uP_EMIFA_D4	EMA_D[4]/ GP4[12]	Hi-Z	3.3V or 1.8V (see Note 1)	—
43	uP_EMIFA_A11	EMA_A[11]/ GP5[11]	Hi-Z	3.3V or 1.8V (see Note 1)	—
44	uP_EMIFA_D5	EMA_D[5]/ GP4[13]	Hi-Z	3.3V or 1.8V (see Note 1)	—
45	uP_EMIFA_A12	EMA_A[12]/ GP5[12]	Hi-Z	3.3V or 1.8V (see Note 1)	—
46	uP_EMIFA_D6	EMA_D[6]/ GP4[14]	Hi-Z	3.3V or 1.8V (see Note 1)	—
47	DGND	—	I	GND	Ground. Connect to digital ground.
48	DGND	—	I	GND	Ground. Connect to digital ground.
49	MAIN_BATT_IN	—	I/O	—	Designed for a standard lithium battery. See Section 5.5.1.3
50	MAIN_BATT_IN	—	I/O	—	Designed for a standard lithium battery. See Section 5.5.1.3
51	MAIN_BATT_IN	—	I/O	—	Designed for a standard lithium battery. See Section 5.5.1.3

J2 Pin#	SOM Net Name	Processor Name	I/O	Voltage	Description
52	MAIN_BATT_IN	—	I/O	—	Designed for a standard lithium battery. See Section 5.5.1.3
53	DGND	—	I	GND	Ground. Connect to digital ground.
54	DGND	—	I	GND	Ground. Connect to digital ground.
55	uP_EMIFA_A13	EMA_A[13]/ GP5[13]	Hi-Z	3.3V or 1.8V (see Note 1)	—
56	RFU	—	NA	NA	Reserved for future use. Do not connect.
57	ETHER_SPEED_LED	—	O	—	Connect cathode of Ethernet Speed LED
58	RFU	—	NA	NA	Reserved for future use. Do not connect.
59	RFU	—	NA	NA	Reserved for future use. Do not connect.
60	uP_SPI1_SCSn6	SPI1_SCS[6]/ I2C0_SDA/ TM64P3_OUT12/ GP1[4]	I/O	3.3V or 1.8V (see Note 1)	I2C0 bus is used for communication between the OMAP-L138 processor and the TPS65070 PMIC. 4.7k pull-up on SOM.
61	RFU	—	—	NA	Reserved for future use. Do not connect.
62	uP_SPI1_SCSn7	SPI1_SCS[7]/ I2C0_SCL/ TM64P2_OUT12/ GP1[15]	O	3.3V or 1.8V (see Note 1)	I2C0 bus is used for communication between the OMAP-L138 processor and the TPS65070 PMIC. 4.7k pull-up on SOM.
63	ETHER_LINK_ACT_LEDn	—	O	—	Connect to cathode of Ethernet Act. LED 4.7k pull-up on SOM.
64	VRTC_IN	—	I	—	—
65	3.3V_or_1.8V	—	O	3.3V or 1.8V (see Note 1)	—
66	uP_MCBSP0_CLKR	AXR6/ CLKR0/ GP1[14]/ MII_TXEN	O	3.3V or 1.8V (see Note 1)	MII bus is used to communicate between the OMAP-L138 processor and LAN8710 Ethernet PHY on the SOM. 22 ohm series R on SOM.
67	3.3V_or_1.8V	—	O	3.3V or 1.8V (see Note 1)	—
68	uP_MCBSP0_CLKS	AXR0/ ECAPO_APWM0/ GP8[7]/ MII_TXD[0]/ CLKS0	O	3.3V or 1.8V (see Note 1)	MII bus is used to communicate between the OMAP-L138 processor and LAN8710 Ethernet PHY on the SOM. 22 ohm series R on SOM.
69	uP_SPI1_ENAn	SPI1_ENA/ GP2[12]	O	3.3V or 1.8V (see Note 1)	4.7k pull-up on SOM.
70	uP_MCBSP0_FSX	AXR3/ FSX0/ GP1[11]/ MII_TXD[3]	O	3.3V or 1.8V (see Note 1)	MII bus is used to communicate between the OMAP-L138 processor and LAN8710 Ethernet PHY on the SOM.
71	ETHER_TX+	—	O	—	49.9 ohm pull-up on SOM.
72	uP_MCBSP0_DR	AXR2/ DR0/ GP2[10]/ MII_TXD[2]	O	3.3V or 1.8V (see Note 1)	MII bus is used to communicate between the OMAP-L138 processor and LAN8710 Ethernet PHY on the SOM.
73	ETHER_TX-	—	O	—	49.9 ohm pull-up on SOM.
74	uP_MCBSP0_DX	AXR1/ DX0/ GP1[19]/ MII_TXD[1]	O	3.3V or 1.8V (see Note 1)	MII bus is used to communicate between the OMAP-L138 processor and LAN8710 Ethernet PHY on the SOM.
75	ETHER_RX+	—	I	—	49.9 ohm pull-up on SOM.
76	uP_MCBSP0_FSR	AXR4/ FSR0/ GP1[12]/ MII_COL	I	3.3V or 1.8V (see Note 1)	MII bus is used to communicate between the OMAP-L138 processor and LAN8710 Ethernet PHY on the SOM. 4.7k pull-up on SOM.

J2 Pin#	SOM Net Name	Processor Name	I/O	Voltage	Description
77	ETHER_RX-	—	I	—	49.9 ohm pull-up on SOM.
78	uP_MCBSP0_CLKX	AXR5/ CLKX0/ GP1[13]/ MII_TXCLK	I	3.3V or 1.8V (see Note 1)	MII bus is used to communicate between the OMAP-L138 processor and LAN8710 Ethernet PHY on the SOM. 22 ohm series R on SOM.
79	DGND	—	I	GND	Ground. Connect to digital ground.
80	DGND	—	I	GND	Ground. Connect to digital ground.
81	uP_SPI0_CLK	SPI0_CLK/ EPWM0A/ GP1[8]/ MII_RXCLK/	I	3.3V or 1.8V (see Note 1)	MII bus is used to communicate between the OMAP-L138 processor and LAN8710 Ethernet PHY on the SOM. 22 ohm series R on SOM. 4.7k pull-down on SOM.
82	uP_MCBSP1_CLKX	AXR13/ CLKX1/ GP0[5]	Hi-Z	3.3V or 1.8V (see Note 1)	22 ohm series R on SOM.
83	uP_SPI0_SOMI	SPI0_SOMI/ EPWMSYNCI/ GP8[6]/ MII_RXER	I	3.3V or 1.8V (see Note 1)	MII bus is used to communicate between the OMAP-L138 processor and LAN8710 Ethernet PHY on the SOM. 4.7k pull-down on SOM.
84	uP_MCBSP1_FSX	AXR11/ FSX1/ GP0[3]	Hi-Z	3.3V or 1.8V (see Note 1)	—
85	uP_SPI0_SIMO	SPI0_SIMO/ EPWMSYNCO/ GP8[5]/ MII_CRS	I	3.3V or 1.8V (see Note 1)	MII bus is used to communicate between the OMAP-L138 processor and LAN8710 Ethernet PHY on the SOM.
86	uP_MCBSP1_DX	AXR9/ DX1/ GP0[1]	Hi-Z	3.3V or 1.8V (see Note 1)	—
87	RFU	—	NA	NA	Reserved for future use. Do not connect.
88	uP_MCBSP1_DR	AXR10/ DR1/ GP0[2]	Hi-Z	3.3V or 1.8V (see Note 1)	—
89	RFU	—	NA	NA	Reserved for future use. Do not connect.
90	uP_MCBSP1_CLKR	AXR14/ CLKR1/ GP0[6]	Hi-Z	3.3V or 1.8V (see Note 1)	22 ohm series R on SOM.
91	uP_EMIFA_BA0	EMA_BA[0]/ GP2[8]	Hi-Z	3.3V or 1.8V (see Note 1)	—
92	uP_MCBSP1_CLKS	AXR8/ CLKS1/ ECAP1_APWM1/ GP0[0]	Hi-Z	3.3V or 1.8V (see Note 1)	22 ohm series R on SOM.
93	uP_EMIFA_BA1	EMA_BA[1]/ GP2[9]	Hi-Z	3.3V or 1.8V (see Note 1)	—
94	uP_MCBSP1_FSR	AXR12/ FSR1/ GP0[4]	Hi-Z	3.3V or 1.8V (see Note 1)	—
95	uP_SPI0_ENAn	SPI0_ENA/ EPWM0B/ MII_RXDV	I	3.3V or 1.8V (see Note 1)	MII bus is used to communicate between the OMAP-L138 processor and LAN8710 Ethernet PHY on the SOM.
96	uP_SPI1_CLK	SPI1_CLK/ GP2[13]	O	3.3V or 1.8V (see Note 1)	22 ohm series R on SOM. 4.7k pull-up on SOM.
97	uP_SPI1_SCSn1	SPI1_SCS[1]/ EPWM1A/ GP2[15]/ TM64P2_IN12	O	3.3V or 1.8V (see Note 1)	—
98	uP_SPI1_SOMI	SPI1_SOMI/ GP2[11]	I	3.3V or 1.8V (see Note 1)	—

J2 Pin#	SOM Net Name	Processor Name	I/O	Voltage	Description
99	uP_SPI1_SCSn0	SPI1_SCS[0]/ EPWM1B/ GP2[14]/ TM64P3_IN12	O	3.3V or 1.8V (see Note 1)	4.7k pull-up on SOM.
100	uP_SPI1_SIMO	SPI1_SIMO/ GP2[10]	O	3.3V or 1.8V (see Note 1)	4.7k pull-up on SOM.

Note 1: Most OMAP-L138 SOM-M1 I/O pins are dual-voltage capable; that is, the SOM I/O pins may be configured to operate at 3.3V or 1.8V. The desired I/O voltage is set via J1.37. See Section 5.5.2 for more information.

7.3 J3 Connector 100-Pin Descriptions

J3 Pin#	SOM Net Name	Processor Name	I/O	Voltage	Description
1	RFU	—	NA	NA	Reserved for future use. Do not connect.
2	BOOTBIT2	—	NA	3.3V or 1.8V (see Note 1)	Do not connect. Connected to J1.5 via zero ohm res. on SOM.
3	RFU	—	NA	NA	Reserved for future use. Do not connect.
4	BOOTBIT4	—	NA	3.3V or 1.8V (see Note 1)	Do not connect. Connected to J1.9 via zero ohm res. on SOM.
5	RFU	—	NA	NA	Reserved for future use. Do not connect.
6	BATT_HDQ	EMA_WEN_DQM[0]/ GP2[3]	Hi-Z	3.3V or 1.8V (see Note 1)	—
7	RFU	—	NA	NA	Reserved for future use. Do not connect.
8	RFU (PM_I2C_SCL)	—	NA	—	Do not connect.
9	RFU	—	NA	NA	Reserved for future use. Do not connect.
10	RFU (PM_I2C_SDA)	—	NA	—	Do not connect.
11	RFU	—	NA	NA	Reserved for future use. Do not connect.
12	BOOTBIT1	—	NA	3.3V or 1.8V (see Note 1)	Do not connect. Connected to J1.3 via zero ohm res. on SOM.
13	RFU	—	NA	NA	Reserved for future use. Do not connect.
14	BOOTBIT3	—	NA	3.3V or 1.8V (see Note 1)	Do not connect. Connected to J1.7 via zero ohm res. on SOM.
15	RFU	—	NA	NA	Reserved for future use. Do not connect.
16	RFU	—	NA	NA	Reserved for future use. Do not connect.
17	BATT_TS	—	I/O	—	Sense line for thermal resistor in battery pack.
18	uP_OBSCLK	CLKOUT/ UHPI_HDS2/ GP6[14]	Hi-Z	3.3V or 1.8V (see Note 1)	22 ohm series R on SOM.
19	DGND	—	I	GND	Ground. Connect to digital ground.
20	DGND	—	I	GND	Ground. Connect to digital ground.
21	RFU	—	NA	NA	Reserved for future use. Do not connect.
22	RFU	—	NA	NA	Reserved for future use. Do not connect.
23	RFU	—	NA	NA	Reserved for future use. Do not connect.
24	RFU	—	NA	NA	Reserved for future use. Do not connect.
25	RFU	—	NA	NA	Reserved for future use. Do not connect.

J3 Pin#	SOM Net Name	Processor Name	I/O	Voltage	Description
26	RFU	—	NA	NA	Reserved for future use. Do not connect.
27	uP_SPI0_SCSn0	SPI0_SCS[0]/ TM64P1_OUT12/ GP1[6]/ MDIO_D/ TM64P1_IN12	I/O	3.3V or 1.8V (see Note 1)	MDIO bus is used to communicate between OMAP-L138 and LAN8710 Ethernet PHY on SOM.
28	RFU	—	NA	NA	Reserved for future use. Do not connect.
29	uP_SPI0_SCSn1	SPI0_SCS[1]/ TM64P0_OUT12/ GP1[7]/ MDIO_CLK/ TM64P0_IN12	O	3.3V or 1.8V (see Note 1)	MDIO bus is used to communicate between OMAP-L138 and LAN8710 Ethernet PHY on SOM.
30	RFU	—	NA	NA	Reserved for future use. Do not connect.
31	uP_VPIF_DIN7	VP_DIN[7]/ UHPI_HD[15]/ UPP_CHA_D[15]/ RMII_TXD[1]	Hi-Z	3.3V or 1.8V (see Note 1)	—
32	RFU	—	NA	NA	Reserved for future use. Do not connect.
33	uP_VPIF_DIN5	VP_DIN[5]/ UHPI_HD[13]/ UPP_CHA_D[13]/ RMII_TXEN	Hi-Z	3.3V or 1.8V (see Note 1)	—
34	RFU	—	NA	NA	Reserved for future use. Do not connect.
35	uP_VPIF_DIN6	VP_DIN[6]/UHPI_HD[14]/UPP_CHA_D[14]/RMII_TXD[0]	Hi-Z	3.3V or 1.8V (see Note 1)	—
36	RFU	—	NA	NA	Reserved for future use. Do not connect.
37	uP_VPIF_DIN2	VP_DIN[2]/ UHPI_HD[10]/ UPP_CHA_D[10]/ RMII_RXER	Hi-Z	3.3V or 1.8V (see Note 1)	—
38	RFU	—	NA	NA	Reserved for future use. Do not connect.
39	uP_VPIF_DIN0	VP_DIN[0]/ UHPI_HD[8]/ UPP_CHA_D[8]/ RMII_CRS_DV	Hi-Z	3.3V or 1.8V (see Note 1)	—
40	RFU	—	NA	NA	Reserved for future use. Do not connect.
41	uP_VPIF_DIN4	VP_DIN[4]/ UHPI_HD[12]/ UPP_CHA_D[12]/ RMII_RXD[1]	Hi-Z	3.3V or 1.8V (see Note 1)	—
42	RFU	—	NA	NA	Reserved for future use. Do not connect.
43	uP_VPIF_DIN3	VP_DIN[3]/ UHPI_HD[11]/ UPP_CHA_D[11]/ RMII_RXD[0]	Hi-Z	3.3V or 1.8V (see Note 1)	—
44	RFU	—	NA	NA	Reserved for future use. Do not connect.
45	RFU	—	NA	NA	Reserved for future use. Do not connect.
46	uP_UPP_CH1_START	UHPI_HCNTL1/ UPP_CHA_START/ GP6[10]	Hi-Z	3.3V or 1.8V (see Note 1)	—
47	USB1_PWR_EN	EMA_CAS/ GP2[4]	Hi-Z	3.3V or 1.8V (see Note 1)	—

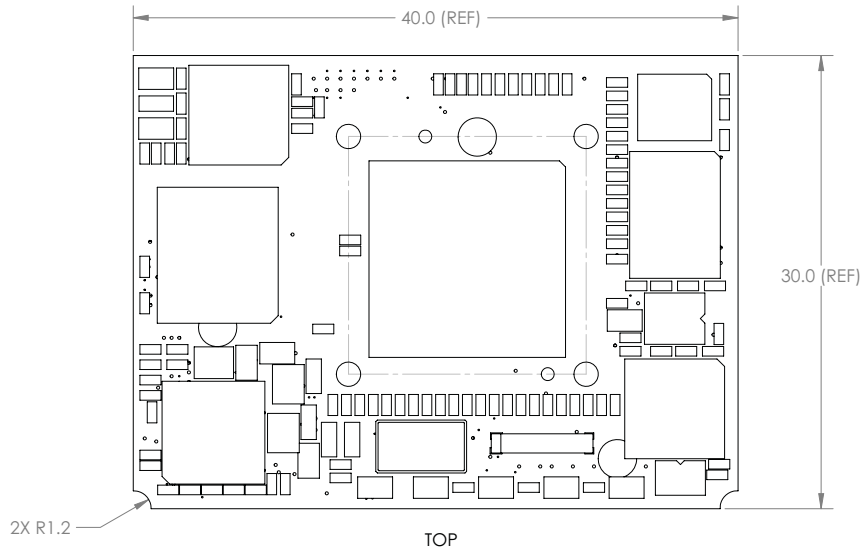
J3 Pin#	SOM Net Name	Processor Name	I/O	Voltage	Description
48	uP_VPIF_CLKIN1	VP_CLKIN1/ UHPI_HDS1/ GP6[6]	Hi-Z	3.3V or 1.8V (see Note 1)	—
49	uP_VPIF_DIN1	VP_DIN[1]/ UHPI_HD[9]/ UPP_CHA_D[9]/ RMII_MHZ_50_CLK	Hi-Z	3.3V or 1.8V (see Note 1)	—
50	uP_UPP_CH1_CLK	UHPI_HCNTL0/ UPP_CHA_CLK/ GP6[11]	Hi-Z	3.3V or 1.8V (see Note 1)	22 ohm series R on SOM.
51	DGND	—	I	GND	Ground. Connect to digital ground.
52	uP_UPP_CH1_ENABLE	UHPI_HHWIL/ UPP_CHA_ENABLE/ GP6[9]	Hi-Z	3.3V or 1.8V (see Note 1)	—
53	uP_McASP_CLKX	ACLKX/ GP0[14]	Hi-Z	3.3V or 1.8V (see Note 1)	22 ohm series R on SOM.
54	uP_RESETOUTn	RESETOUT/ UHPI_HAS/ GP6[15]	Hi-Z	3.3V or 1.8V (see Note 1)	—
55	uP_McASP_CLKR	ACLKR/ GP0[15]	Hi-Z	3.3V or 1.8V (see Note 1)	22 ohm series R on SOM.
56	uP_UPP_CH1_WAIT	UHPI_HRW/ UPP_CH1_WAIT/ GP6[8]	Hi-Z	3.3V or 1.8V (see Note 1)	—
57	uP_McASP_FSX	AFX/ GP0[12]	Hi-Z	3.3V or 1.8V (see Note 1)	—
58	uP_UHPI_HRDY	UHPI_HRDY/GP6[13]	Hi-Z	3.3V or 1.8V (see Note 1)	—
59	uP_McASP_FSR	AFSR/ GP0[13]	Hi-Z	3.3V or 1.8V (see Note 1)	—
60	uP_UHPI_HINTn	UHPI_HINT/GP6[12]	Hi-Z	3.3V or 1.8V (see Note 1)	—
61	BUFF_OEn	EMA_SDCKE/ GP2[6]	Hi-Z	3.3V or 1.8V (see Note 1)	1k pull-down on SOM.
62	uP_UPP_CH0_WAIT	UPP_CHB_WAIT/ GP8[12]/	Hi-Z	3.3V or 1.8V (see Note 1)	—
63	RFU	—	NA	NA	Reserved for future use. Do not connect.
64	RFU	—	NA	NA	Reserved for future use. Do not connect.
65	3.3V_or_1.8V	—	O	3.3V or 1.8V (see Note 1)	—
66	RFU	—	NA	NA	Reserved for future use. Do not connect.
67	3.3V_or_1.8V	—	O	3.3V or 1.8V (see Note 1)	—
68	RFU	—	NA	NA	Reserved for future use. Do not connect.
69	RFU	—	NA	NA	Reserved for future use. Do not connect.
70	RFU	—	NA	NA	Reserved for future use. Do not connect.
71	RFU	—	NA	NA	Reserved for future use. Do not connect.
72	RFU	—	NA	NA	Reserved for future use. Do not connect.
73	RFU	—	NA	NA	Reserved for future use. Do not connect.
74	RFU	—	NA	NA	Reserved for future use. Do not connect.
75	RFU	—	NA	NA	Reserved for future use. Do not connect.

J3 Pin#	SOM Net Name	Processor Name	I/O	Voltage	Description
76	RFU	—	NA	NA	Reserved for future use. Do not connect.
77	RFU	—	NA	NA	Reserved for future use. Do not connect.
78	RFU	—	NA	NA	Reserved for future use. Do not connect.
79	DGND	—	I	GND	Ground. Connect to digital ground.
80	DGND	—	I	GND	Ground. Connect to digital ground.
81	RFU	—	NA	NA	Reserved for future use. Do not connect.
82	uP_TCK	TCK	I	3.3V or 1.8V (see Note 1)	—
83	RFU	—	NA	NA	Reserved for future use. Do not connect.
84	uP_RTCK	RTCK/ GP8[0]	O	3.3V or 1.8V (see Note 1)	—
85	RFU	—	NA	NA	Reserved for future use. Do not connect.
86	uP_EMU1	EMU1	O	3.3V or 1.8V (see Note 1)	4.7k pull-up on SOM
87	RFU	—	NA	NA	Reserved for future use. Do not connect.
88	uP_EMU0	EMU0	O	3.3V or 1.8V (see Note 1)	4.7k pull-up on SOM
89	RFU	—	NA	NA	Reserved for future use. Do not connect.
90	uP_TDO	TDO	O	3.3V or 1.8V (see Note 1)	—
91	RFU	—	NA	NA	Reserved for future use. Do not connect.
92	uP_TDI	TDI	I	3.3V or 1.8V (see Note 1)	—
93	RFU	—	NA	NA	Reserved for future use. Do not connect.
94	uP_TMS	TMS	I	3.3V or 1.8V (see Note 1)	—
95	RFU	—	NA	NA	Reserved for future use. Do not connect.
96	uP_TRSTn	TRST	I	3.3V or 1.8V (see Note 1)	—
97	RFU	—	NA	NA	Reserved for future use. Do not connect.
98	RFU	—	NA	NA	Reserved for future use. Do not connect.
99	RFU	—	NA	NA	Reserved for future use. Do not connect.
100	RFU	—	NA	NA	Reserved for future use. Do not connect.

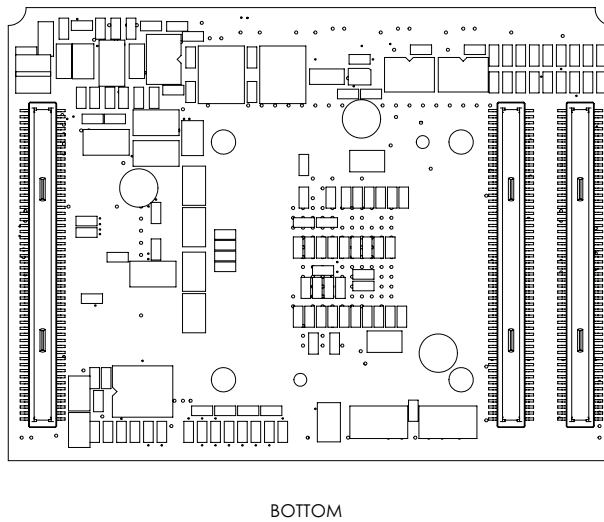
Note 1: Most OMAP-L138 SOM-M1 I/O pins are dual-voltage capable; that is, the SOM I/O pins may be configured to operate at 3.3V or 1.8V. The desired I/O voltage is set via J1.37. See Section 5.5.2 for more information.

Appendix A: SOM-M1 Mechanical Drawing

REVISIONS			
REV.	ECO NUMBER	DESCRIPTION	DATE
A		INITIAL ENGINEERING RELEASE	8.18.09
B	C04955	UPDATED CONNECTOR LABELS	10.23.09
C	C029865	ADDED PIN LOCATIONS	08.17.10

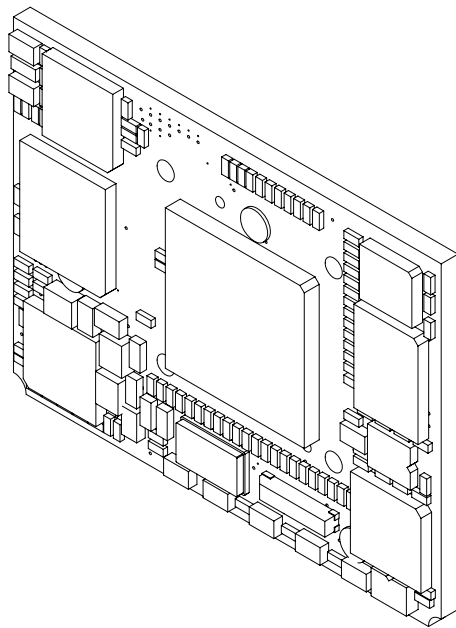


- NOTES:
1. DO NOT PLACE ANY COMPONENTS WITHIN LAYOUT AREA OF SOM
 2. BASEBOARD CONNECTOR SPECIFICATION: HIROSE DF40C-100DS-0.4V
 3. MACHINE PLACEMENT OF J1, J2, AND J3 IS HIGHLY RECOMMENDED
 4. ALL ALIGNED COMPONENTS TO BE WITHIN ± 0.075
 5. DO NOT SCALE DRAWING

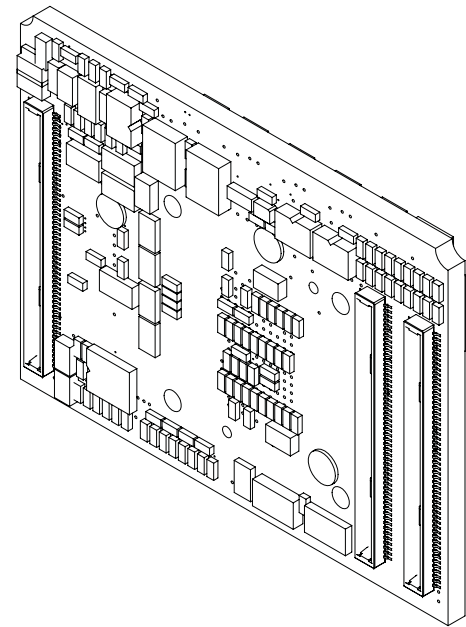


THIS DRAWING PREPARED IN ACCORDANCE WITH ASME Y14.5-2000
 ALL DIMENSIONS ARE IN MILLIMETERS UNLESS OTHERWISE SPECIFIED
 TOLERANCES UNLESS OTHERWISE SPECIFIED
 X ± 0.5
 X.X ± 0.2
 X.XX ± 0.1
 X' $\pm 1'$

ENG MHC CHECK KAG MGR PMH DATE	DATE 10.23.09 DATE 10.23.09 DATE 10.23.09 DATE	<p>411 N. Washington Ave, Suite 400 Minneapolis, MN 55401 T: 612.872.9495 F: 612.872.9499 I: www.logicpd.com</p>	SIZE C	TITLE SOM-M1	REV C
SCALE 4:1	DWG NO 1013825		SHEET 1 OF 2		

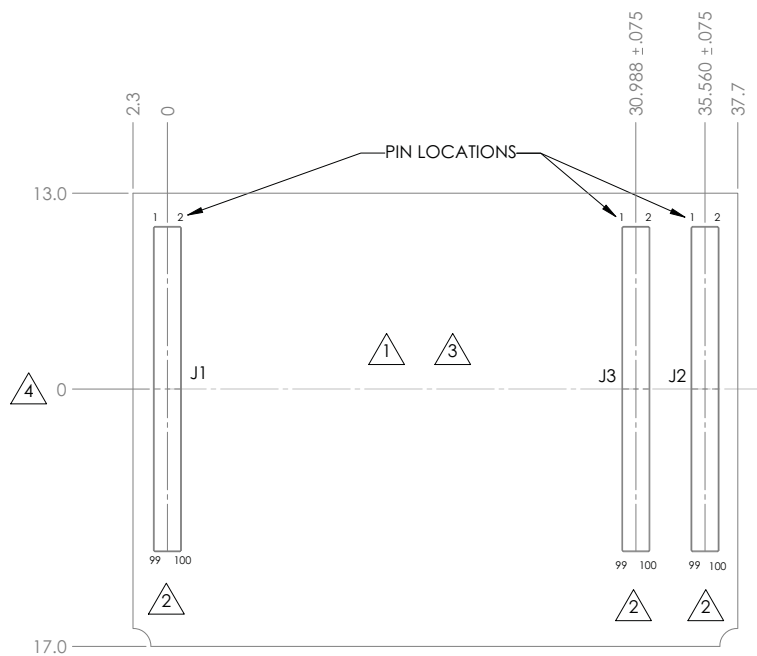


TOP



BOTTOM

ISOMETRIC VIEWS
FOR REFERENCE ONLY



RECOMMENDED BASEBOARD FOOTPRINT

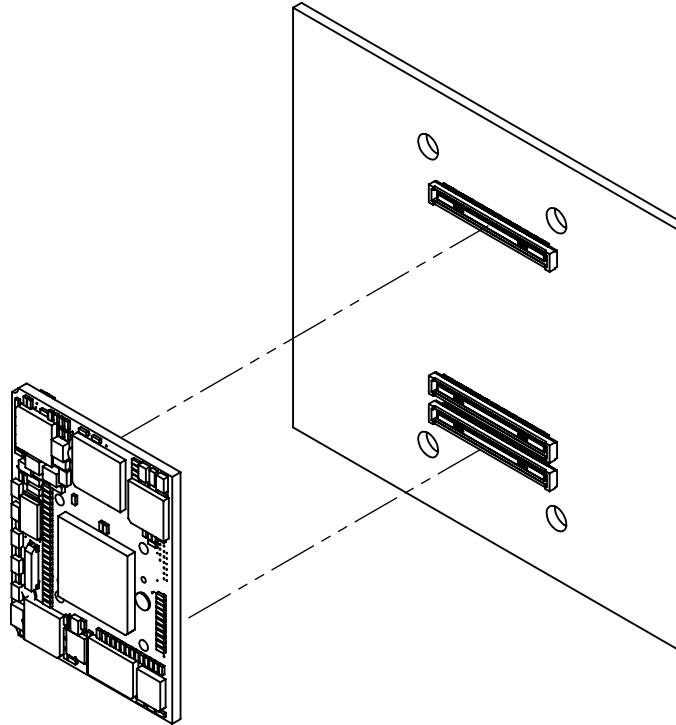
SIZE C	TITLE SOM-M1	REV C
SCALE 4:1	DWG. NO. 1013825	SHEET 2 OF 2

Appendix B: Example Retaining Methods

REVISIONS		
REV.	ECO NUMBER	DESCRIPTION
A	-	INITIAL RELEASE
B	C029865	UPDATED SOM DESCRIPTION

NOTES:

1. BASED ON TESTING A LIMITED NUMBER OF SAMPLES, THE SOM-M1 REQUIRES 10 LBS OF EXTRACTION FORCE AFTER ONE INSERTION CYCLE. AFTER 30 INSERTION AND EXTRACTION CYCLES, THIS IS REDUCED TO 7 LBS.



THIS DRAWING PREPARED IN ACCORDANCE WITH ASME Y14.5-2000

ALL DIMENSIONS ARE IN MILLIMETERS UNLESS OTHERWISE SPECIFIED

TOLERANCES UNLESS OTHERWISE SPECIFIED

X ± 0.5
 X.X ± 0.2
 X.XX ± 0.1
 X° ± 1°

THIRD ANGLE PROJECTION

ENG	DATE
NWR	10.28.09
CHECK	DATE
KAG	10.28.09
MGR	DATE
PMH	10.28.09
MANF	DATE



411 N. Washington Ave. Suite 400 Minneapolis, MN 55401
 T: 612.672.9495 F: 612.672.9489 I: www.logicpd.com

SIZE
A
SCALE
1:1

TITLE
SOM-M1 Retention System- None
DWG NO
1014513

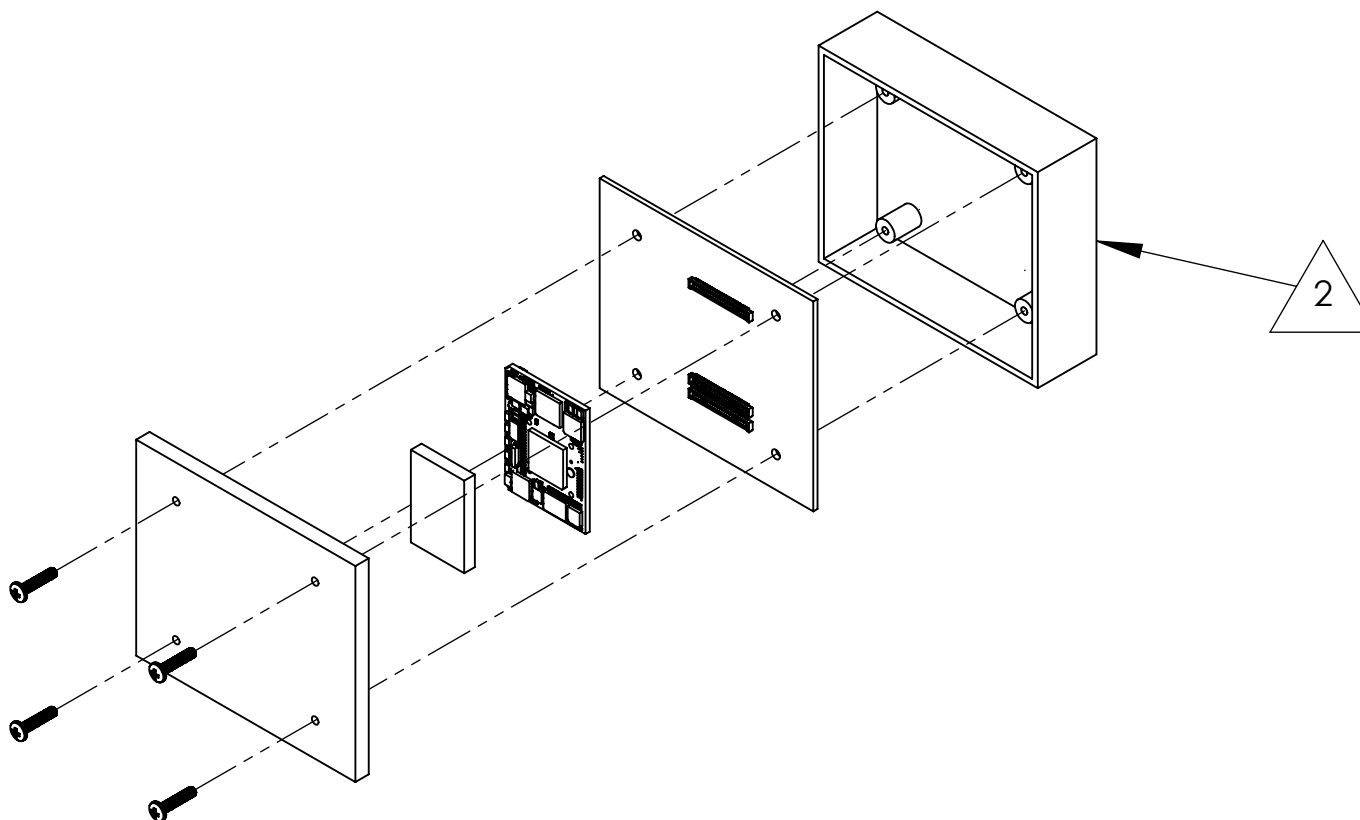
REV
B
SHEET
1 OF 1

REVISIONS			
REV.	ECO NUMBER	DESCRIPTION	DATE
A	-	INITIAL RELEASE	10.28.09
B	C029865	UPDATED SOM DESCRIPTION	08.17.10

NOTES:

1. THE SOM-M1 CAN BE RETAINED IN PLACE BY THE SURROUNDING ENCLOSURE.

2. REPRESENTATIVE ENCLOSURE



THIS DRAWING PREPARED
IN ACCORDANCE WITH
ASME Y14.5-2000

ALL DIMENSIONS
ARE IN MILLIMETERS
UNLESS OTHERWISE
SPECIFIED

TOLERANCES UNLESS
OTHERWISE SPECIFIED

X ± 0.5
X.X ± 0.2
X.XX ± 0.1
X° ± 1°

THIRD ANGLE PROJECTION



ENG	DATE
NWR	10.28.09
CHECK	DATE
KAG	10.28.09
MGR	DATE
PMH	10.28.09
MANF	DATE



411 N. Washington Ave. Suite 400 Minneapolis, MN 55401
T: 612.672.9495 F: 612.672.9489 I: www.logicpd.com

SIZE

A

SCALE

1:2

TITLE

SOM-M1 Retention System -
Housing

DWG NO

1014515

REV

B

SHEET

1 OF 1

ITEM NO.	DESCRIPTION	VENDOR	PART NUMBER	Default/ QTY.
1	REPRESENTATIVE PCB	N/A	N/A	1
2	SOM-M1	LOGIC PD	DEPENDENT ON SOM-M1 CONFIGURATION	1
3	STANDOFF, M2 x 4MM	PEM	SMTSO-M2-4	4
4	CLIP, RETENTION PLATE	LOGIC PD	LPD-SOM-CLIP1	2
5	SCREW, PAN HEAD, M2 X 4MM	MCMaster-CARR	92000A011	4
6	THERMAL PAD, .009" THICK, ADHESIVE BACKED	LOGIC PD	LPD-SOM-CLIP1-THPAD	2

REVISIONS			
REV.	ECO NUMBER	DESCRIPTION	DATE
A	C029865	INITIAL RELEASE	08.16.10

NOTES:

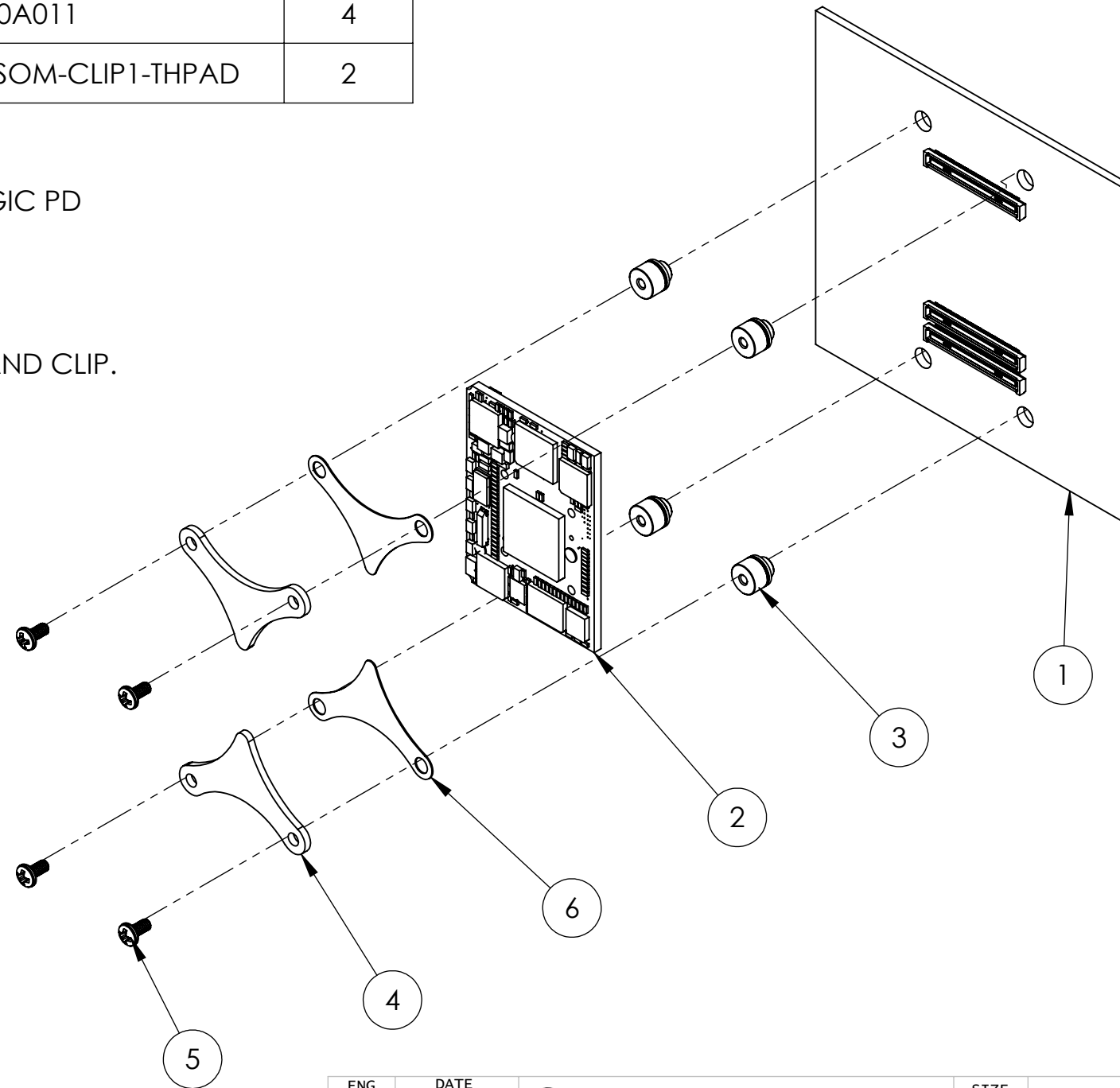
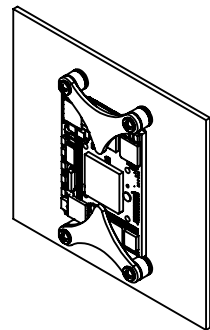
1. THIS IS THE RECOMMENDED RETENTION METHOD IF USING THE LOGIC PD RETENTION CLIP.

2. THERMAL PAD IS DIE CUT TO FIT RETENTION CLIP.

3. DO NOT PLACE COMPONENTS WITHIN LAYOUT AREA OF SOM AND CLIP.

4. BASEBOARD CONNECTOR SPECIFICATION:
HIROSE DF40C-100DS-0.4V

5. DO NOT SCALE DRAWING.



THIS DRAWING PREPARED
IN ACCORDANCE WITH
ASME Y14.5-2000

ALL DIMENSIONS
ARE IN MILLIMETERS
UNLESS OTHERWISE
SPECIFIED

TOLERANCES UNLESS
OTHERWISE SPECIFIED

X ± 0.5
X.X ± 0.2
X.XX ± 0.1
X° ± 1°

THIRD ANGLE PROJECTION

ENG	DATE
NWR	08.16.10
CHECK	DATE
KAG	08.16.10
MGR	DATE
PMH	08.16.10
MANF	DATE

LOGIC

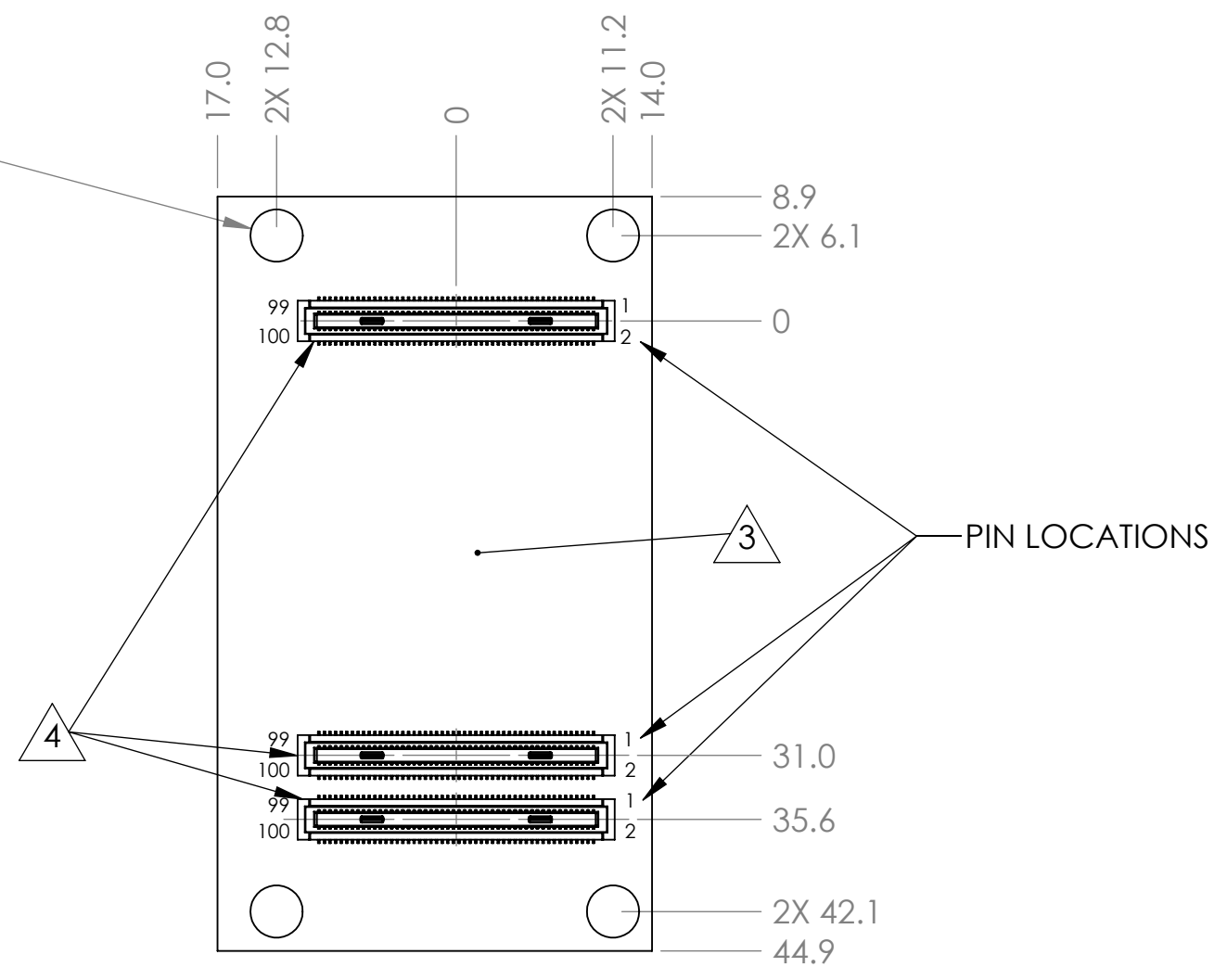
411 N. Washington Ave. Suite 400 Minneapolis, MN 55401
T: 612.672.9495 F: 612.672.9489 I: www.logicpd.com

SIZE	TITLE	REV
B	SOM-M1 CLIP RETENTION SYSTEM	A
SCALE	DWG NO	SHEET
1:1	1016203	1 OF 2

8 7 6 5 4 3 2 1

D
C
B
A

4X ϕ 3.7 WITH ϕ 6.2 SOLDER PAD REQUIRED.
PLATING THRU HOLE NOT REQUIRED.



RECOMMENDED BASEBOARD FOOTPRINT

SIZE B	TITLE SOM-M1 CLIP RETENTION SYSTEM	REV A
SCALE 2:1	DWG. NO 1016203	SHEET 2 OF 2

8 7 6 5 4 3 2 1