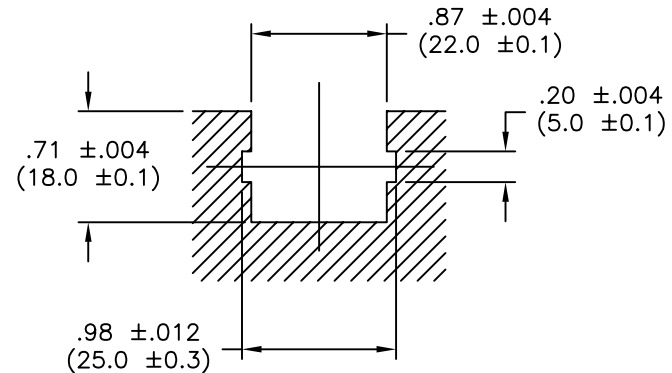


CHASSIS CUT-OUT
 PANEL THICKNESS: .020 TO .063 (0.5 TO 1.6)



NOTES:

- MATERIAL: NYLON 66 (RMS-01).
 FLAME RETARDANT NYLON (RMS-19)
 AVAILABLE BY SPECIAL ORDER.
- COLOR: NATURAL.

TITLE: EDGE WIRE SADDLE			⊕	▭	DWG IN IN(MM)	QR	
B	CHANGED NOTE 1, ADDED NOTE 2 ADDED THROUGH AND EDGE NOTE	SJ 03.27.02	TOLERANCES UNLESS NOTED .XX=±.010 .XXX=±.005 FRAC=1/64 ANG=1°	FILE # HEWSE	DWN: J.B.	APP:	FINAL
A	ADDED 3 SIDED CHASSIS CUT-OUT; CHANGED FILE NO.	SM 04.16.01	MAT'L: SEE NOTES	RE: RICHCO, INC.	DT: 01-17-97	DT:	PART # HEWSE-22-01
REV	DESCRIPTION	ENGR DATE					PRINT TYPE CA

RICHCO INC.
 PO BOX 804238, CHICAGO, 60680
 (773) 539-4060