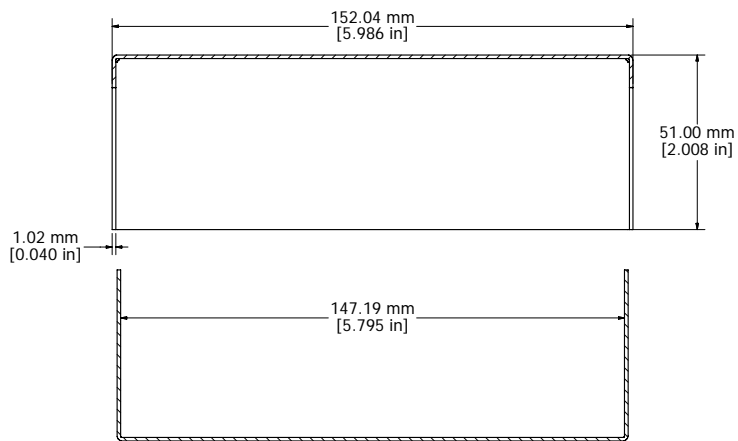
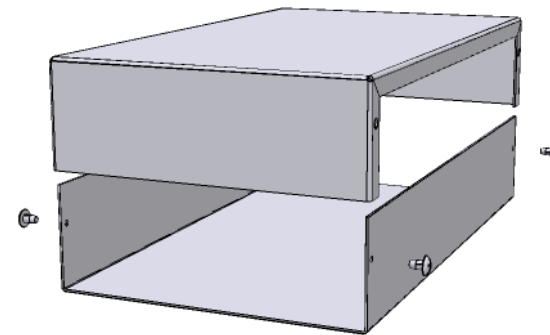


ASSEMBLY - VIEW FROM SIDE (OPEN)



SECTION VV-VV



- ASA 61 GREY POWDER COATED STEEL BODY - 1412TT
- 0.040" THICK 20 GAUGE STEEL PANELS
- FOUR 6-32 NICKEL PLATED SCREWS
- FOUR SELF ADHESIVE RUBBER FEET

Contact Factory mjm@hammondmfg.com for quotes
 Enclosures can be Factory Modified (Milling, Drilling, Printing etc.)
 Solid models of this enclosure available in STEP or IGES.



**HAMMOND
 MANUFACTURING™**

1412TT

www.hammondmfg.com