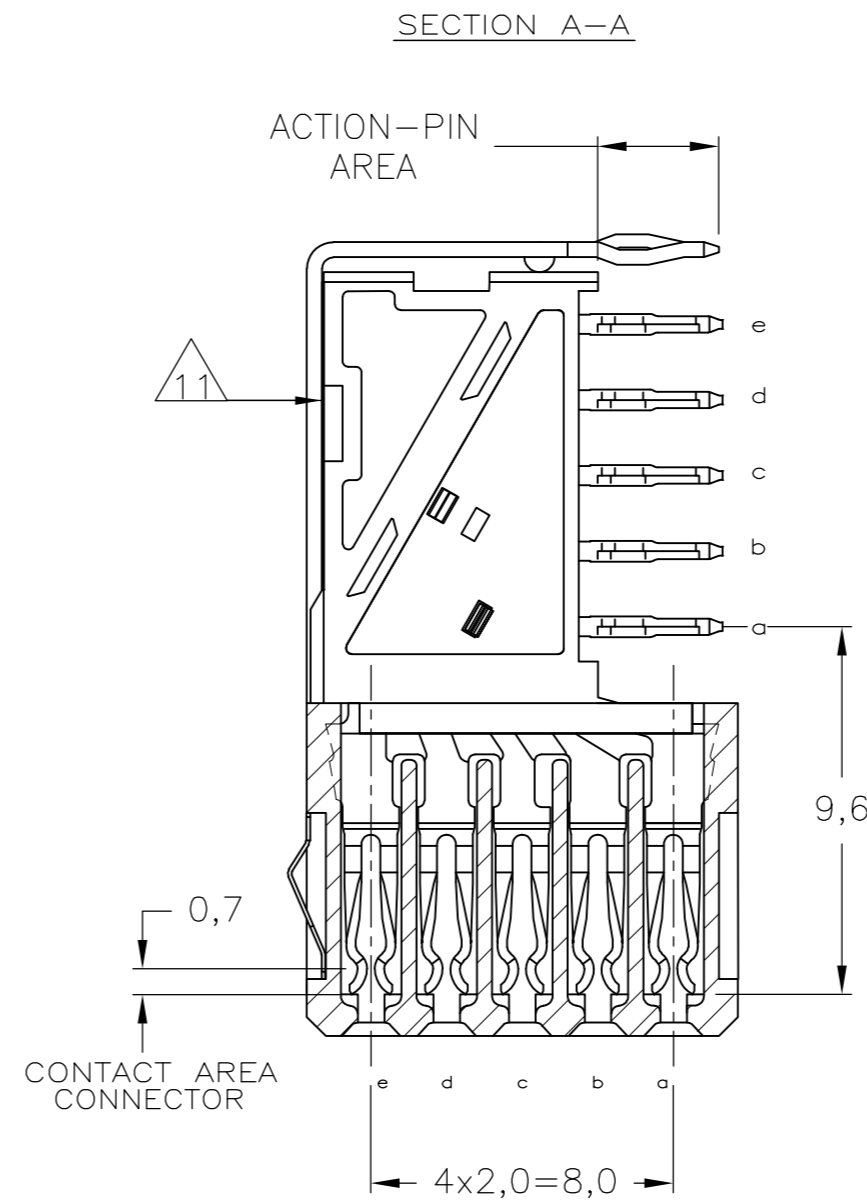
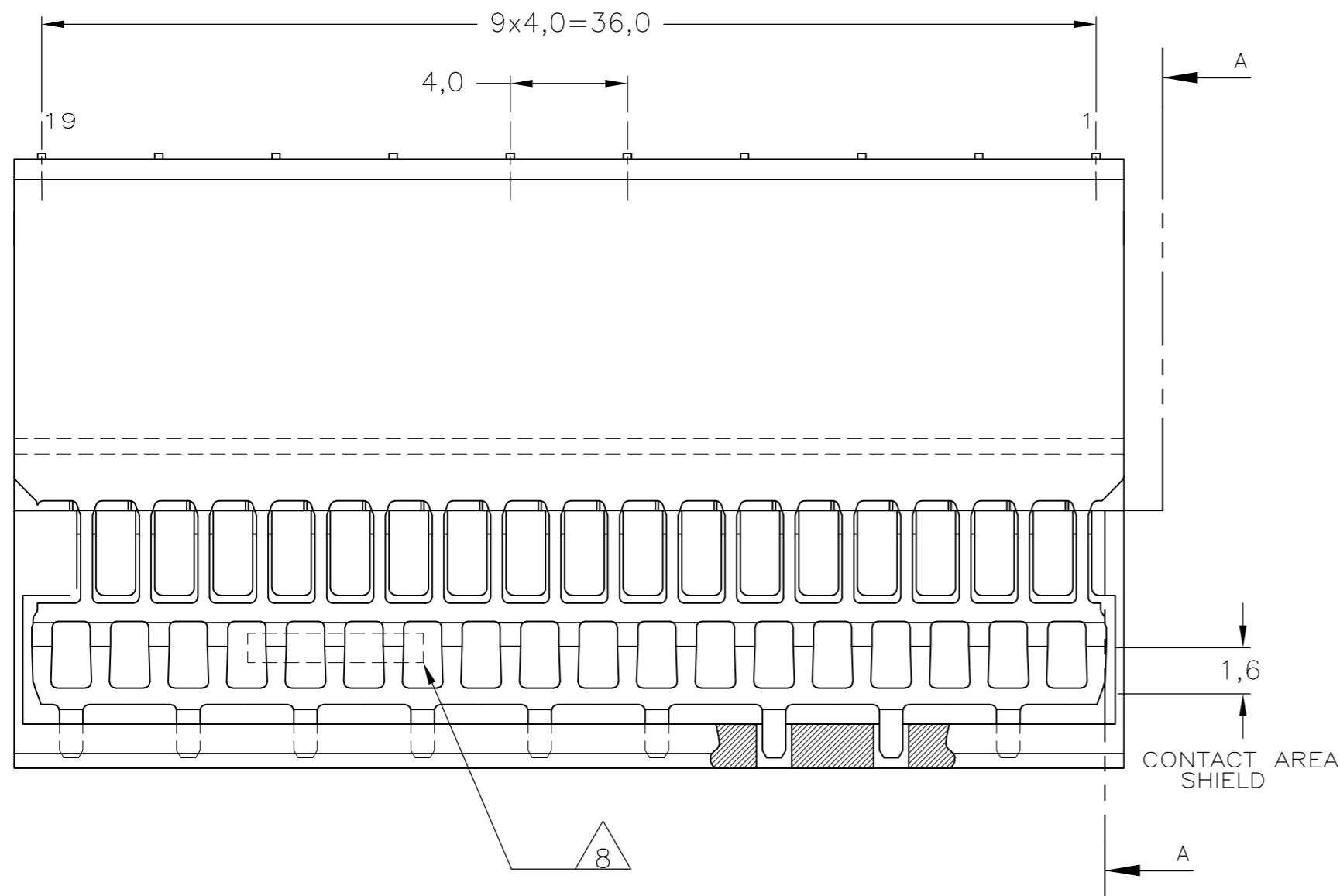


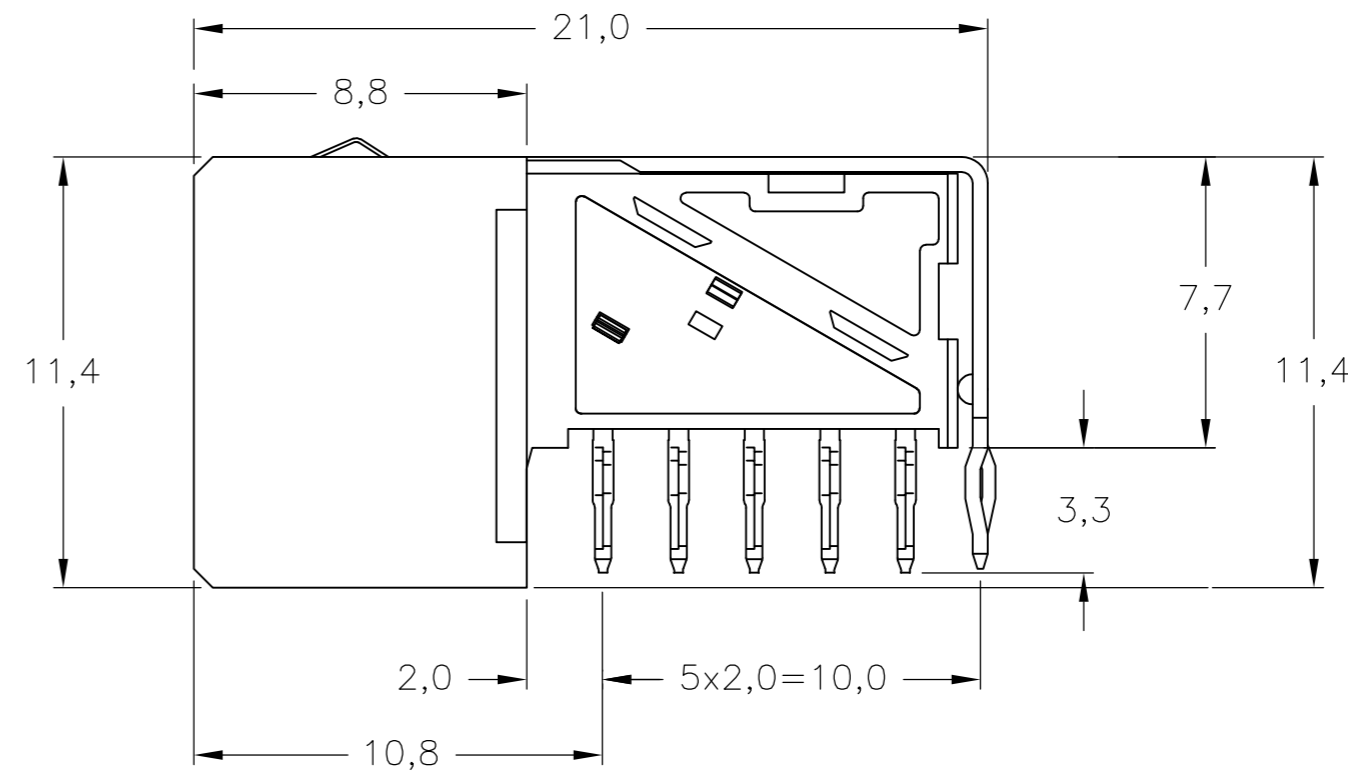
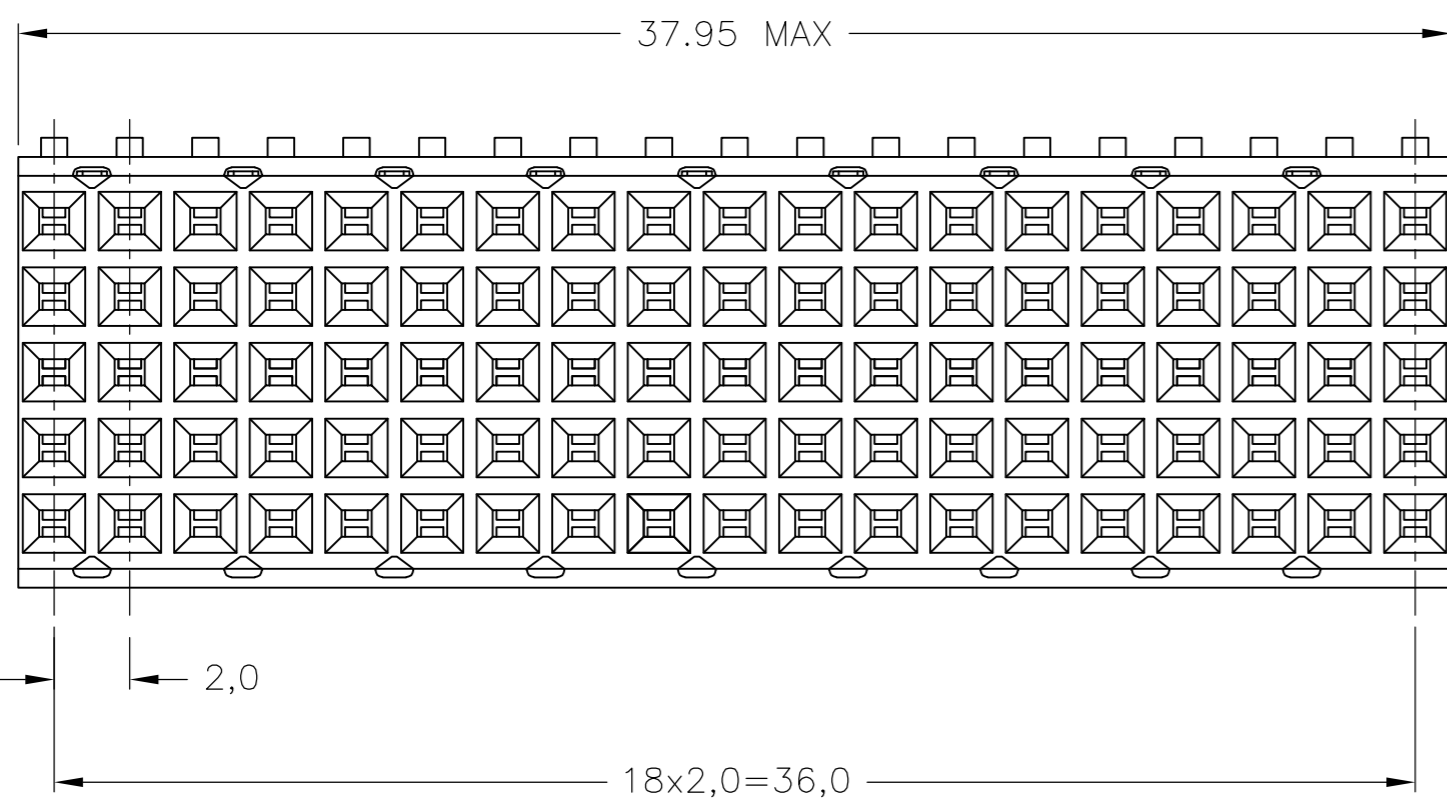
THIS DRAWING IS UNPUBLISHED. RELEASED FOR PUBLICATION
 © COPYRIGHT - By - ALL RIGHTS RESERVED.

LOC		DIST		REVISIONS			
P	LTR	DESCRIPTION		DATE	DWN	APVD	
D		REVISED PER ECR-12-008341		07MAY2012	SY	MQW	

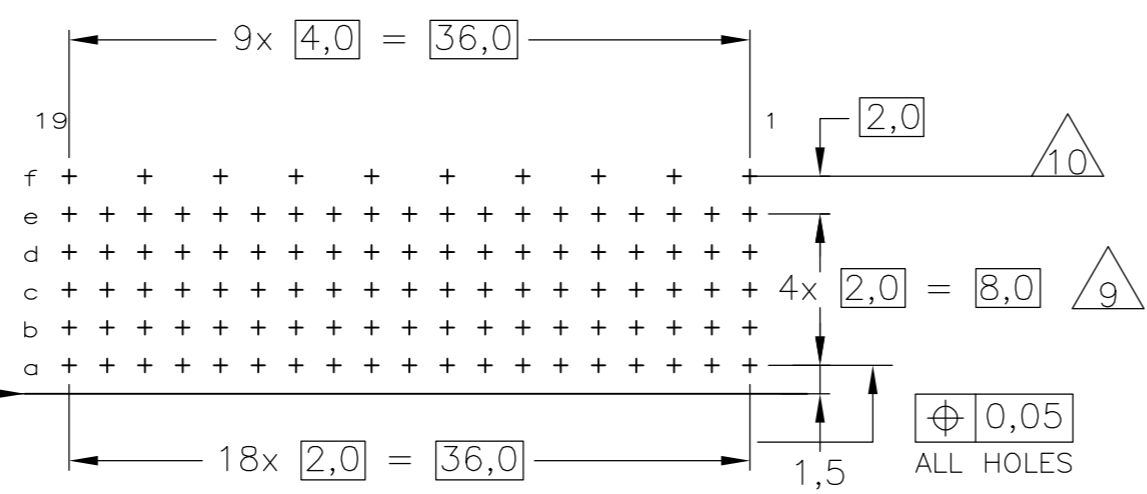


NOTES:

- △ MATERIAL CONTACTS; PHOSPHORBRONZE
- △ MATERIAL HOUSING; GLASSFILLED POLYESTER (GRAY)
- △ GENERAL PLATING SPECIFICATION: UNDERPLATING (ENTIRE CONTACT): 1,27µm NICKEL MIN. AND ACTION PIN: 0,5µm TIN MIN. FOR PLATING OF MATING SURFACES SEE APPLICABLE SPECIFICATION REFERENCE FOR EACH DASH NUMBER.
- △ CONFORMS TO ALL TESTING ACCORDING IEC 61076-4-101 PERFORMANCE LEVEL 2.
- △ CONFORMS TO ALL TESTING ACCORDING IEC 61076-4-101 PERFORMANCE LEVEL 1.
- △ CONNECTOR TESTED AND QUALIFIED AGAINST TELCORDIA GR-1217-CORE QUALITY LEVEL III, CENTRAL OFFICE APPLICATIONS.
- △ CONNECTOR LUBRICATED WITH TELCORDIA GR-1217-CORE APPROVED LUBRICANT.
- △ PLATING SHIELD:
CONTACT AREA: 0,76µm Au MIN.
ACTION PIN : 0,5µm Sn MIN.
REMAINDER : Ni
- △ ASSEMBLY PRINTED WITH P/N AND DATECODE
- △ THE MARKING CAN APPEAR ON THE FRONT SIDE OR BACK SIDE.
- △ HOLE PATTERN FOR FEMALE CONNECTOR TYPE B-19 COLUMNS
95 PLATED-THROUGH HOLES AT 2x2mm SQUARE GRID
- △ ROW "r" 10 PLATED THROUGH HOLES FOR UPERSHIELD
- △ SHIELD MOUNTED ON CONNECTOR WITH DOUBLE SIDED ADHESIVE TAPE OR ADHESIVE
- 12 BASIC P.N. LOWERSHIELD : 5352029.
- △ 0.76µm MIN GOLD PLATING AT MATING SURFACE



COMPONENT SIDE AS SHOWN
 RECOMMENDED PCB-HOLE LAY-OUT
 SCALE 2,5:1



P.C.B. HOLE DIM. ACTION PIN
 FOR DETAILS SEE
 APPLICATION SPECIFICATION

EDGE OF P.C.BOARD

△ △ △ △	△	3-5352171-0
△ △ △ △	△	5352171-9
△ △ △ △	△	5352171-4
△ △ △ △	△	5352171-1
FINISH	MATERIAL	PARTNUMBER

THIS DRAWING IS A CONTROLLED DOCUMENT.		DWN	21AUG2004		TE Connectivity						
DIMENSIONS: mm		CHK	27OCT2004		NAME						
TOLERANCES UNLESS OTHERWISE SPECIFIED:		APVD	27OCT2004		Z-PACK 2mm HM						
0 PLG ± ± 1 PLG ± ± 2 PLG ± ± ±0.2 3 PLG ± ± 4 PLG ± ± ANGLES ± ± FINISH		PRODUCT SPEC	108-19082		TYPE B - 19 COLUMNS						
MATERIAL		APPLICATION SPEC	114-19029	PRE-SHIELDED RECEPTACLE							
-		WEIGHT	-	SIZE	A2	CAGE CODE	00779	DRAWING NO	C=5352171	RESTRICTED TO	-
-		CUSTOMER DRAWING		SCALE	5:1	SHEET	1 of 1	REV	D		