

PRODUCT NUMBER BPS8B96YYD-C0--LF

WITH "LF" SUFFIX	LEAD FREE OR RoHS COMPATIBLE PRODUCT
WITHOUT SUFFIX	LEADED PRODUCT

WIRE ACCOMODATION		
PRODUCT NUMBER	WIRE SIZE	CONTACT IDENTIFICATION
BPS8B96YYD0C0--	AWG28/30	0
BPS8B96YYD2C0--	AWG24/26	2

CONTACT PLATING	
PRODUCT NUMBER	PERFORMANCE LEVEL PER DIN41612
Z0	CLASS 3
Z1	CLASS 2
E9	CLASS 1

NOTES:-
 1. THE "LF" PRODUCTS MEET EUROPEAN UNION DIRECTIVES AND OTHER COUNTRY REGULATIONS AS DESCRIBED IN GS-22-008
 2. LEAD FREE OR RoHS DIRECTIVE LABELING TO BE PROVIDED AS PER GS-14-920 FOR LEAD FREE/ RoHS COMPATIBLE VERSION.

PERFORMANCES CHARACTERISTICS
 VOLTAGE RATING : 250 VAC (rms)
 CURRENT RATING : 1,5 A AT 25 °C, 1 A AT 70 °C.
 INSULATION RESISTANCE : 1000 MΩ INITIAL, 100 MΩ MIN. AFTER TEST
 DIELECTRIC WITHSTANDING VOLTAGE : 1000 VAC (rms).
 CONTACT RESISTANCE : 15 mΩ MAX. INITIAL, 5 mΩ MAX. RISE OF INITIAL VALUE AFTER TEST.
 OPERATING TEMPERATURE*: -40 °C TO +125 °C.
 INSERTION FORCE : 1 N MAX./CONTACT.
 WITHDRAWAL FORCE : 0,2 N MIN./CONTACT.

*DEPENDING ON THE CABLE, THE MAX. TEMPERATURE CAN BE LOWER. FOR STANDARD PVC INSULATED CABLE : 105 °C MAX.

CONSTRUCTION
 BODY MATERIAL : GLASS-REINFORCED THERMOPLASTIC (UL94V-0).
 COVER MATERIAL : POLYPHENYLENE (PPO), COLOUR : BLACK.
 CONTACT MATERIAL : PHOSPHOR BRONZE.
 CONTACT FINISH : Au OVER Ni IN CONTACT AREA, SnPb ON I.D.C. TERMINAL FOR LEADED PRODUCTS, SN (MATTE TIN) ON I.D.C TERMINAL FOR LEAD FREE PRODUCTS

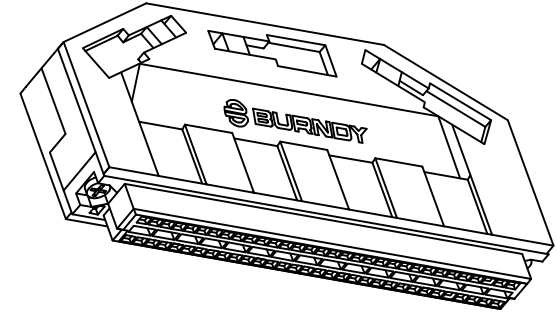
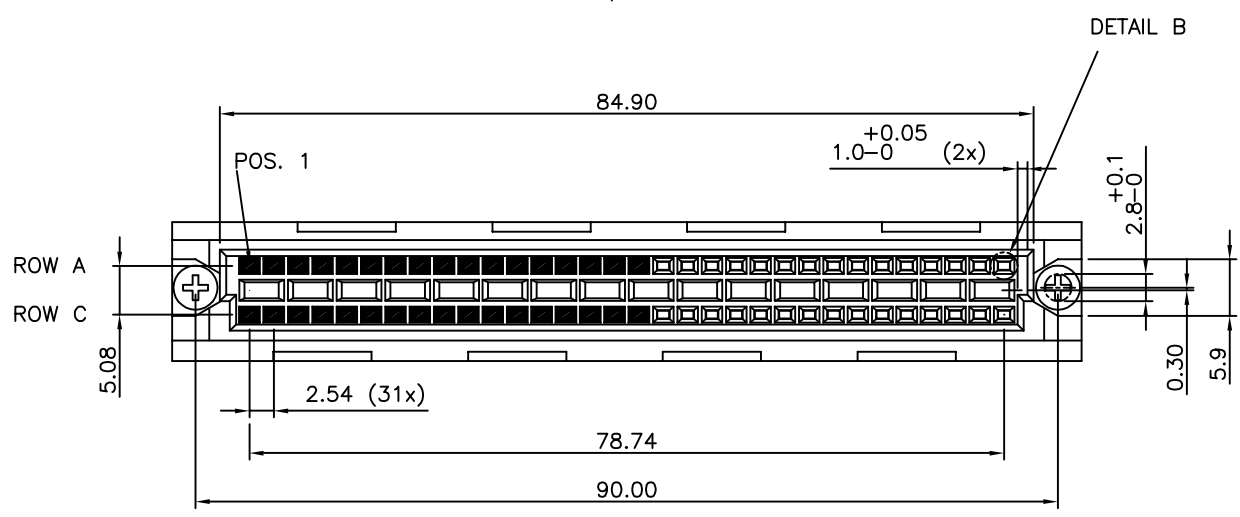
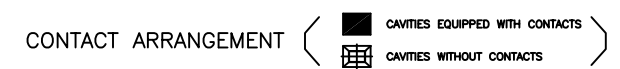
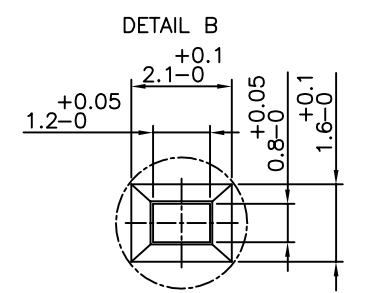
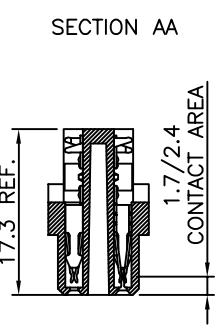
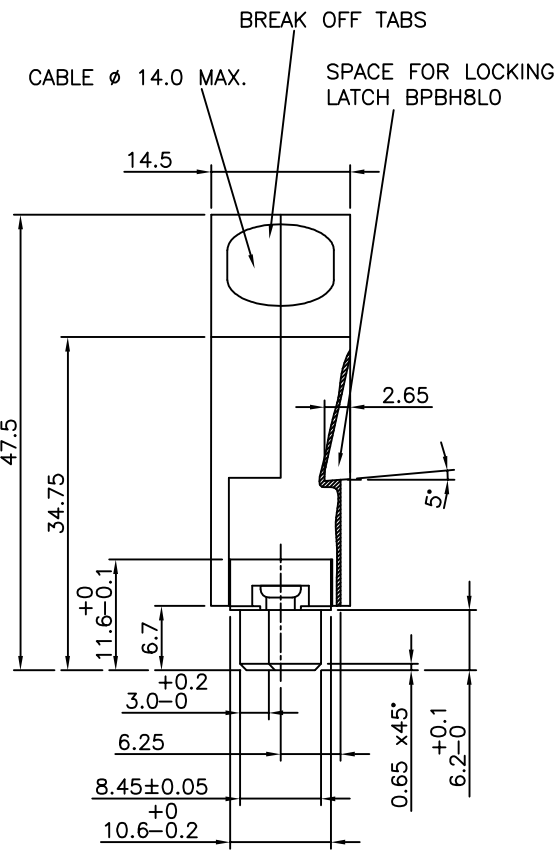
Z0 : PERFORMANCE LEVEL PER DIN41612 CLASS 3
 Z1 : PERFORMANCE LEVEL PER DIN41612 CLASS 2
 E9 : PERFORMANCE LEVEL PER DIN41612 CLASS 1
 OTHERS : CONSULT FCI

TIE-WRAP : OPTIONAL (PART N°. TF4)

PART NUMBERS
 BPS8B96YYD0C0-- CONNECTOR FOR WIRE SIZE AWG28, AWG30. (CONTACT IDENTIFICATION : 0).
 BPS8B96YYD0C0--LF CONNECTOR FOR WIRE SIZE AWG28, AWG30. (CONTACT IDENTIFICATION : 0).
 BPS8B96YYD2C0-- CONNECTOR FOR WIRE SIZE AWG24, AWG26 (CONTACT IDENTIFICATION : 2).
 BPS8B96YYD2C0--LF CONNECTOR FOR WIRE SIZE AWG24, AWG26 (CONTACT IDENTIFICATION : 2).

AWG WIRE SIZE MARKING
 BPS8B96YYD0C0-- : 28/30.
 BPS8B96YYD0C0--LF : 28/30.
 BPS8B96YYD2C0-- : 24/26.
 BPS8B96YYD2C0--LF : 24/26.

DATECODE MARKING
 A + YEAR & WEEKCODE, EXAMPLE : F9950.



mat'l. code		surface		tolerance		projection		product family	
SEE NOTE		ISO 1302		ISO 406 ISO 1101				BPS8	
ltr ecn no dr date		tolerances unless otherwise specified		angles		mm		title	
A	F00819	DLE	2000-10-23			0.1±0.2		ASSY BPS8	
B	105-0156	MINI	2005-09-06	linear		0.01±0.01		96 POS. A,C LOADED SPECIAL	
C	106-0067	MINI	2006-06-01	±1°		scale -		dwg no sheet 1 of 1 size	
		dr		D.LEGRAND		2000-10-23		55363 A3	
		enr		J.F.NOTTEAU		2000-10-23		type Product Customer Drawing	
		chr		RAKHEE GEORGE		2006-06-01			
		app		RAKHEE GEORGE		2006-06-01			
sheet index		revision sheet		C 1					



Copyright FCI